

**Single Pole Devices and Temporary Power**  
**Series 16 - 300 and 400A, 600V AC/DC**  
**Replacement Bodies**

# HUBBELL

**Ordering Information**

Description	Device Color	UPC Number	Catalog Number
Replacement Male Body	Yellow	783585112893	HBLMBY

**Listings**

UL and cUL Listed  
 UL Enclosure Types 3R, 4X, 12  
 UL 498 and UL1691

**Specifications**

Product Type	Accessories
Accessory Item	Replacement Parts
Body Material	Thermoplastic Elastomer
Contact Material	Brass
Retaining Screw Material	Nylon

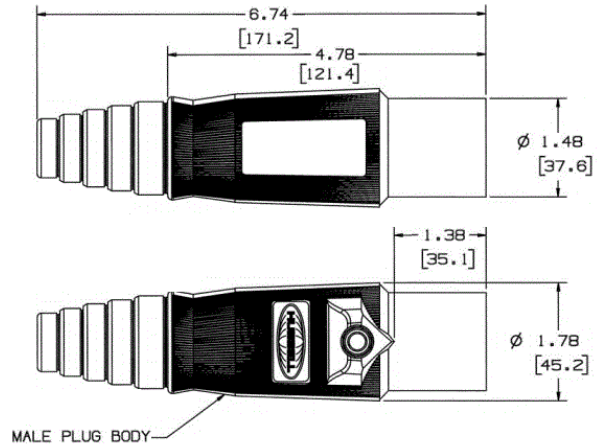
**Performance**

**Electrical**

Amperage Rating	400A Maximum
Voltage Rating	600V AC/DC Maximum

**Mechanical**

Product Identification	Ratings are a permanent part of the device
------------------------	--



**Online Resources**

Customer Sales Drawings  
 eCatalog  
 Installation Instructions

Dimensions in Inches (mm)

Hubbell Wiring Device-Kellems • Hubbell Incorporated (Delaware) • 40 Waterview Drive • Shelton, CT 06484

Phone (800) 288-6000 • Fax (800) 255-1031 • Specifications subject to change without notice.

