

Single Pole Devices and Temporary Power

400A, 600V AC/DC

Male Receptacles

HUBBELL

Ordering Information

Description	Device Color	UPC Number	Catalog Number
400A, thermoplastic elastomer, cable size #4 - 4/0 AWG, mates with 300A&400A Plugs.	Brown	783585112954	HBLMRBN

Listings

UL and cUL Listed
UL Enclosure Types 3R, 4X, 12
National Electric Code (NEC), ANSI/NFPA 70

Specifications

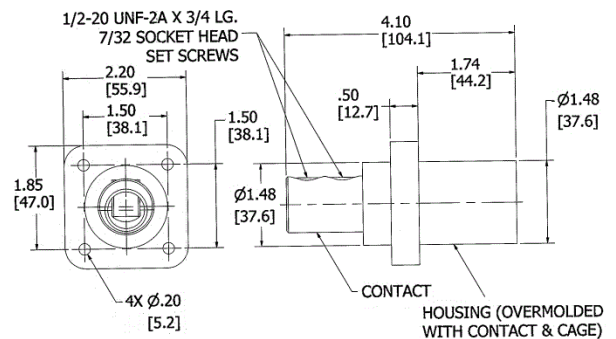
Base Compound	Thermoplastic Elastomer
Contact Material	Brass
Retaining Screw Material	Nylon
Mounting Hole	4x #10-32
Termination	(2) 7/32 Socket Head Set Screws

Performance

Electrical	
Amperage Rating	400A Maximum
Voltage Rating	600V AC/DC Maximum

Mechanical	
Product Identification	Ratings are a permanent part of device
Terminal Accommodation	#4 to 4/0 AWG

Environmental	
Flammability	HB per UL94 or CSA 22.2. 0.17



Online Resources

Customer Sales Drawings
eCatalog
Installation Instructions

Dimensions in Inches (mm)

Hubbell Wiring Device-Kellems • Hubbell Incorporated (Delaware) • 40 Waterview Drive • Shelton, CT 06484

Phone (800) 288-6000 • Fax (800) 255-1031 • Specifications subject to change without notice.

