

# Insul-Lock™ Connectors

## 25 Amp

### Panel Mount

# HUBBELL

#### Features

- Impact Resistant Thermoplastic Construction
- Panel mount devices accept commonly available .25" Sta-Kon™ style connectors.
- Industry standard mating

#### Ordering Information

Description	UPC	Catalog Number
Blue, Power In, 25 Amp, Panel Mount	783585539102	HBLPMIBL

Cord Size	Color
.25" Sta-Kon™ style connectors.	Blue

#### Listings

cULus  
UL Recognized Component rated up to 25A per UL 1977  
cUL Recognized Component rated up to 25A per Canadian National Standard C22.2 No. 182.3  
Suitable for use in UL 1640 applications

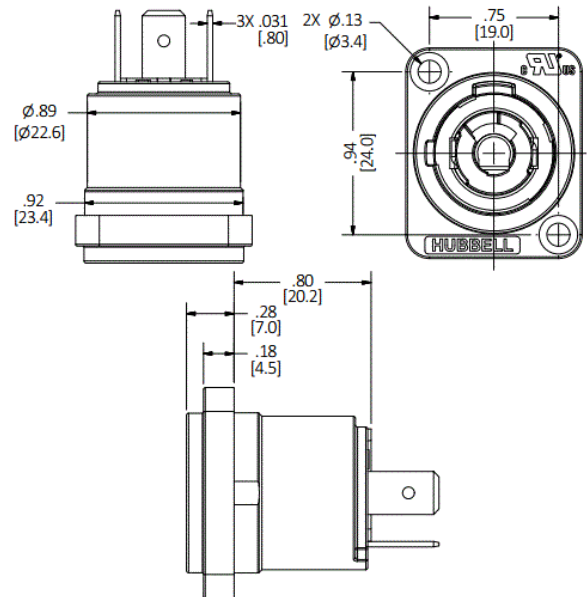
#### Specifications

Body	Thermoplastic
Contacts	Copper Alloy
Weight	0.026

#### Performance

##### Electrical

Amperage	15A
Voltage	up to 250V



#### Complementary Products

25 Amp Panel Mount

HBLCPIBL, HBLPMRP, HBLPMSC

#### Online Resources

eCatalog

Dimensions in Inches (mm)

Hubbell Wiring Device-Kellems • Hubbell Incorporated (Delaware) • 40 Waterview Drive • Shelton, CT 06484

Phone (800) 288-6000 • Fax (800) 255-1031 • Specifications subject to change without notice.

