

Insul-Lock™ Connectors

25 Amp

Panel Mount

HUBBELL

Features

- Divided Back Plate
- Panel mount devices accept commonly available .25" Sta-Kon™ style connectors.
- Industry standard mating

Ordering Information

Description	UPC	Catalog Number
Gray, Power Out, Divided, 25 Amp, Panel Mount	783585539119	HBLPMDGY

Cord Size	Color
.25" Sta-Kon™ style connectors.	Gray



Listings

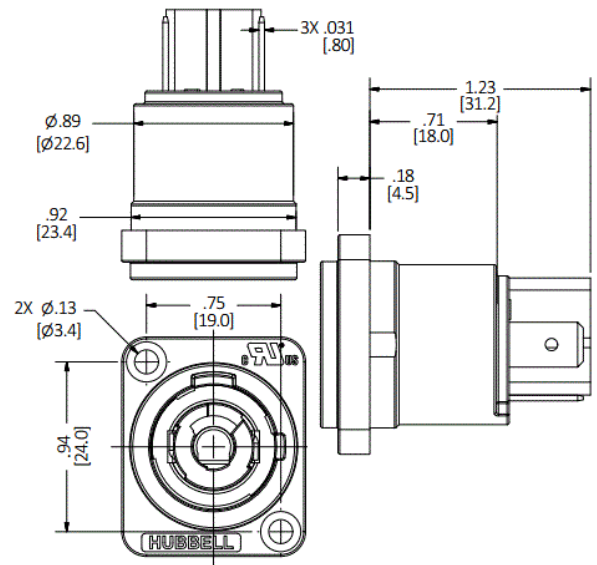
cULus
 UL Recognized Component rated up to 25A per UL 1977
 cUL Recognized Component rated up to 25A per Canadian National Standard C22.2 No. 182.3
 Suitable for use in UL 1640 applications

Specifications

Body	Thermoplastic
Contacts	Copper Alloy
Weight	0.026

Performance

Electrical	
Amperage	15A
Voltage	up to 250V



Complementary Products

25 Amp Panel Mount HBLCPOGY, HBLPMRP, HBLPMSC

Online Resources

eCatalog

Dimensions in Inches (mm)

Hubbell Wiring Device-Kellems • Hubbell Incorporated (Delaware) • 40 Waterview Drive • Shelton, CT 06484

Phone (800) 288-6000 • Fax (800) 255-1031 • Specifications subject to change without notice.

