

Insul-Lock™ Connectors

25 Amp

Panel Mount

HUBBELL

Features

- Impact Resistant Thermoplastic Construction
- Panel mount devices accept commonly available .25" Sta-Kon™ style connectors.
- Industry standard mating

Ordering Information

Description Gray, Power Out, 25 Amp, Panel Mount	UPC 783585539119	Catalog Number HBLPMOY
---	----------------------------	---

Cord Size .25" Sta-Kon™ style connectors.	Color Gray
--	----------------------

Listings

cULus
UL Recognized Component rated up to 25A per UL 1977
cUL Recognized Component rated up to 25A per Canadian National Standard C22.2
No. 182.3
Suitable for use in UL 1640 applications

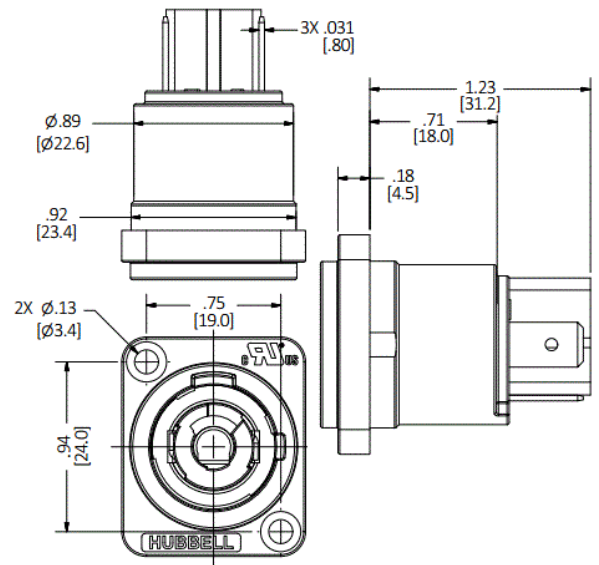
Specifications

Body	Thermoplastic
Contacts	Copper Alloy
Weight	0.026

Performance

Electrical

Amperage	15A
Voltage	up to 250V



Complementary Products

25 Amp Panel Mount

HBLCPOGY, HBLPMRP, HBLPMSC

Online Resources

eCatalog

Dimensions in Inches (mm)

Hubbell Wiring Device-Kellems • Hubbell Incorporated (Delaware) • 40 Waterview Drive • Shelton, CT 06484

Phone (800) 288-6000 • Fax (800) 255-1031 • Specifications subject to change without notice.

