

Single Pole Device
RFID Enabled
Series 16



Features

- Industrial Duty, Imbedded RFID tags
- Same electrical and environmental performance as standard Series 16 Single Pole Devices
- Industry best read strength allows for bulk scanning
- Inter-Mateable with any Series 16 style device



Ordering Information

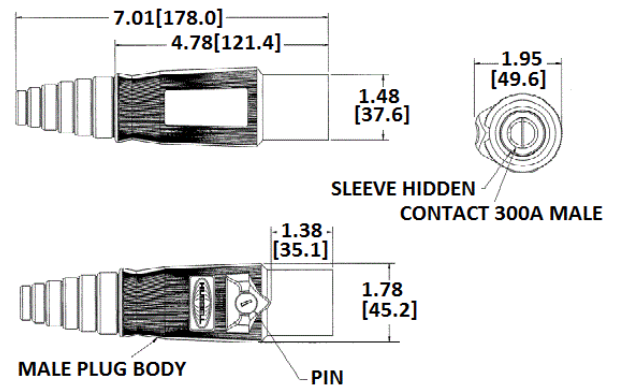
Description	Color	Cable Size	UPC Number	Catalog Number
300A, Male Plug	Black	AWG #6 - 2/0	78358556650	HBLRF300MBK

Listings

cULus 1691
 UL94
 UL Type 4X

Specifications

Amperage	300A
Voltage	600V AC/250V DC
Housing Material	Thermoplastic Elastomer (TPE)
Contact Material	Brass
Environmental	UL Type 4X
Weight (lbs)	0.75
RFID Tag Range	Up To 10ft (3m)
Operating Frequency	UHF, Ultra High Frequency
RFID Type	Passive



Performance

Electrical	
Amperage Rating	400A Maximum
Voltage Ratings	600V AC Maximum; 250V DC Maximum
Mechanical	
Product Identification	Ratings are a permanent part of device
Terminal Accommodation	#6 to 2/0 AWG

Environmental

Flammability HB per UL94 or CSA 22.2. 0.17

