

Switch-Rated IEC Pin and Sleeve

60A 480V, 2 Pole, 3 Wire

Watertight Connector Body

Features

- Mates with existing installed base of IEC 60309-2 pin and sleeve devices
- Approved as a disconnecting means for motor circuits and branch circuits
- UL Type 4X, 12 and IP69k environmental ratings
- Impact and corrosion-resistant PBT that is color coded by voltage.
- Unswitched ground and power indicating LED lights

Ordering Information

| Description | UPC | Catalog Number |
|--|--------------|----------------|
| Watertight IEC Pin and Sleeve Connector Body | 783585478524 | HBL360C7W |

Listings

UL Listed, File E146033
CSA Certified File LR280C
UL Classified to IEC 60309-1 IEC 60309-2

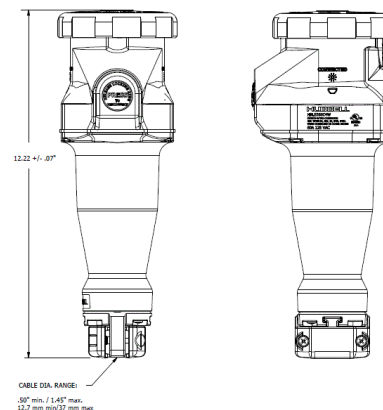
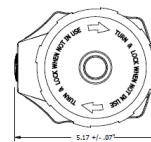
Specifications

| | |
|-------------|----------------|
| Housing | PBT |
| Cord Clamps | PBT |
| Glands | Solid Neoprene |
| Covers | PBT |
| Gaskets | Santoprene |

Performance

| | |
|-------------------------|--|
| Electrical | |
| Current Interrupting | Certified for current interrupting at full rated current |
| Dielectric Voltage | Withstand 3000V AC |
| Max. Working Voltage | 600V RMS |
| Mechanical | |
| Impact Resistance | Per CSA C22.2 No. 182.1 / UL1682 |
| Product Identification | Identification and ratings are a permanent part of the device housing |
| Terminal Identification | Terminals identified in accordance with North American and IEC conventions |
| Environmental | |
| Flammability | V-0 |
| Ingress Protection | TYPE 3R,3RX,4X AND IP68,IP69K |
| Moisture Resistance | IEC 60309-1 |
| Operating Temperatures | Maximum Continuous 75°C; Minimum - 40°C w/o impact |

HUBBELL



Dimensions in Inches (mm)

Hubbell Wiring Device-Kellems • Hubbell Incorporated (Delaware) • 40 Waterview Drive • Shelton, CT 06484

Phone (800) 288-6000 • Fax (800) 255-1031 • Specifications subject to change without notice.

