

**Switch-Rated IEC Pin and Sleeve**  
**30A, 125/250V AC, 3 Pole, 4 Wire**



**Watertight Receptacle**

**Features**

- Mates with existing installed base of IEC 60309-2 pin and sleeve devices
- Approved as a disconnecting means for motor circuits and branch circuits
- UL Type 4X, 12 and IP69k environmental ratings
- Impact and corrosion-resistant PBT that is color coded by voltage
- Unswitched ground and power indicating LED lights

**Ordering Information**

Description	UPC	Catalog Number
Watertight IEC Pin and Sleeve Receptacle	783585550466	HBSL430R12W

**Listings**

UL Listed, File E146032  
 CSA Certified File LR285C

**Specifications**

Housing	PBT
Closure Covers	PBT
Sealing Gasket	Solid Neoprene
Retainer	High-Impact Thermoset
Gaskets	Santoprene
Terminal Screws	Stainless Steel

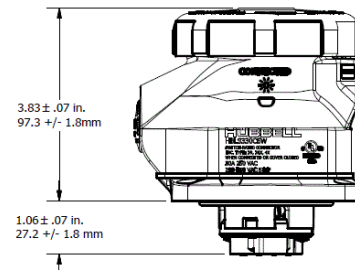
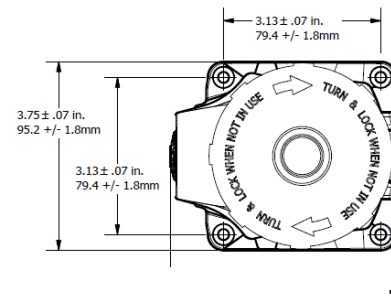
**Performance**

<b>Electrical</b>	
Current Interrupting	Certified for current interrupting at full rated current
Dielectric Voltage Max. Working Voltage	Withstand 3000V AC 600V AC RMS
<b>Mechanical</b>	
Impact Resistance	Per CSA C22.2 No. 182.1 / UL1682
Product Identification	Identification and ratings are a permanent part of the device housing
Terminal Identification	Terminals identified in accordance with North American and IEC conventions

<b>Environmental</b>	
Flammability	V-0
Ingress Protection	TYPE 3R,3RX,4X and IP68,IP69K
Moisture Resistance	IEC 60309-1
Operating Temperatures	Maximum Continuous 75°C; Minimum - 40°C w/o impact

**Complementary Products**

Cover Assemblies



Dimensions in Inches (mm)

Hubbell Wiring Device-Kellems • Hubbell Incorporated (Delaware) • 40 Waterview Drive • Shelton, CT 06484

Phone (800) 288-6000 • Fax (800) 255-1031 • Specifications subject to change without notice.

