

**Switch-Rated IEC Pin and Sleeve  
60/63A 200-415V, 4 Pole, 5 Wire**

**Watertight Connector Body**

**Features**

- Mates with existing installed base of IEC 60309-2 pin and sleeve devices
- Approved as a disconnecting means for motor circuits and branch circuits
- UL Type 4X, 12 and IP69k environmental ratings
- Impact and corrosion-resistant PBT that is color coded by voltage.
- Unswitched ground and power indicating LED lights

**HUBBELL**



**Ordering Information**

Description	UPC	Catalog Number
Watertight IEC Pin and Sleeve Connector Body	783585478678	HBLS560C6W

**Listings**

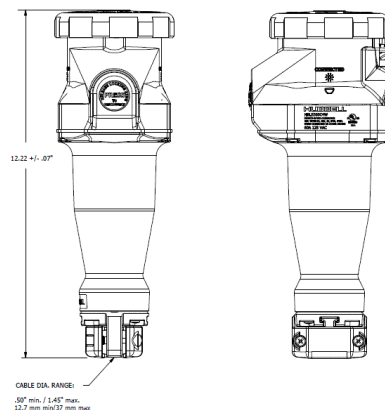
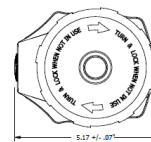
UL Listed, File E146033  
CSA Certified File LR280C  
UL Classified to IEC 60309-1 IEC 60309-2

**Specifications**

Housing	PBT
Cord Clamps	PBT
Glands	Solid Neoprene
Covers	PBT
Gaskets	Santoprene

**Performance**

Electrical	
Current Interrupting	Certified for current interrupting at full rated current
Dielectric Voltage	Withstand 3000V AC
Max. Working Voltage	600V RMS
Mechanical	
Impact Resistance	Per CSA C22.2 No. 182.1 / UL1682
Product Identification	Identification and ratings are a permanent part of the device housing
Terminal Identification	Terminals identified in accordance with North American and IEC conventions
Environmental	
Flammability	V-0
Ingress Protection	TYPE 3R,3RX,4X AND IP68,IP69K
Moisture Resistance	IEC 60309-1
Operating Temperatures	Maximum Continuous 75°C; Minimum - 40°C w/o impact



Dimensions in Inches (mm)

Hubbell Wiring Device-Kellems • Hubbell Incorporated (Delaware) • 40 Waterview Drive • Shelton, CT 06484

Phone (800) 288-6000 • Fax (800) 255-1031 • Specifications subject to change without notice.

