

## Weatherproof Plates & Covers

### Weatherproof Stainless Steel Covers

# HUBBELL

#### Features

- Heavy Duty 316 Stainless Steel
- Duplex & GFI Versions
- Horizontal & Vertical Mounting Positions
- Polished finish to increase corrosion resistance and aesthetic appearance



#### Ordering Information

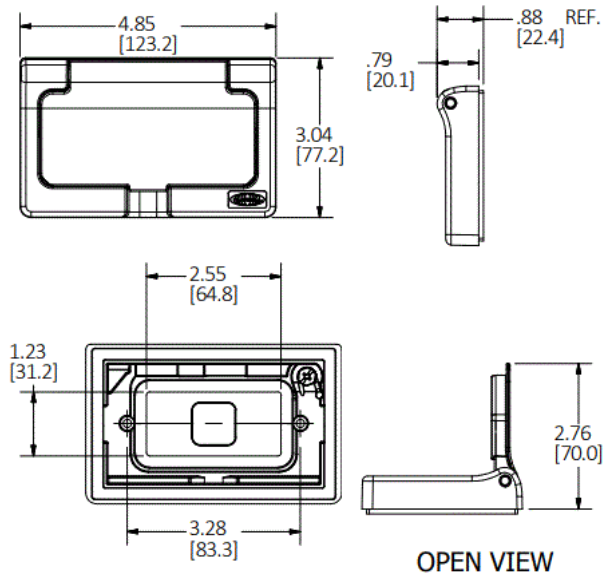
Description	UPC Number	Catalog Number
1 Gang, Stainless Steel GFCI Cover, 3R	783585586540	HBLSS263R

#### Listings

CSA  
UL

#### Specifications

Base	Stainless Steel
Hinge Pin	Stainless Steel
Spring	Stainless Steel
Base/Cover Gasket	Elastomer
Back Gasket	EVA Form
NEMA Type 3R	Dusttight, Raintight and Sleet (Ice) Resistant
Cover	Stainless Steel



#### Online Resources

Customer Use Drawing  
eCatalog  
Installation Instructions

Dimensions in Inches (mm)

Hubbell Wiring Device-Kellems • Hubbell Incorporated (Delaware) • 40 Waterview Drive • Shelton, CT 06484

Phone (800) 288-6000 • Fax (800) 255-1031 • Specifications subject to change without notice.

