

## High/Low Bay Sensors with 0-10V Dimming Capability

### Features

- Digital passive infrared sensor. Low profile design, no minimum load
- Two (2) Built-in photocell for daylight harvesting
- 120-347V AC, 1 relay
- Supports mounting heights up to 45 ft for high bay configurations and between 8-16 ft for low bay configurations

### Ordering Information

Description	Device Color	UPC Number	Catalog Number
High/Low bay PIR sensor, 1 relay with photocell	White	783585564760	HBS13D

### Listings

cULus Listed  
Meets ASHRAE 90.1  
CEC Title 24 Compliant

### Specifications

Casing	High-impact injection-molded thermoplastic
Size	4.0" Diameter x 1.5" height
Weight	7 oz.
Mounting	Mounts directly to the end of a fixture

### Performance

#### Electrical

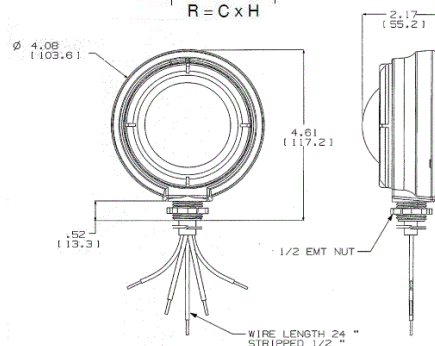
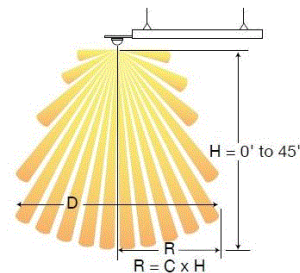
Current Sinking Capacity	30mA
Lighting Load Capacity	120V AC; 0-800 watts ballast, tungsten LED driver. 277V AC: 0-1200 watts ballast, 5A LED driver. 347V AC: 0-1500 watts ballast
Motor load	1/4HP @ 120V AC, 1/6 HP @ 347V
User Interface	12-pin DIP switch

#### Environment

Operating Location	Indoor use only
Operating temperature	32°F to 149°F (-40°C to 65°C)
Relative humidity	0% to 95%

#### Timer time-outs

Primary	8-second test mode 4, 8, 16 and 30 minutes.
Secondary	Disabled, 30, 60 and 90 minutes. Available on dual relay versions only.



### Complementary Products

Extension Mounting Adapter	HMHBSA
High bay replacement lens, 360°	HBRL360
Low bay replacement lens, 360°	LBRL360

### Online Resources

Customer Use Drawing  
eCatalog  
Installation Instructions