

Energy Efficiency Solutions
OPTIMYZER
Watertight High/Low Bay PIR Sensor

HUBBELL

Features

- Digital passive infrared sensor. Low profile design, no minimum
- Built-in photocell & Integrated 0-10V Dimming Control
- Single Relay, 120-480VAC
- Supports mounting heights up to 45 ft for high bay configurations and between 8-16 ft with low bay lenses



Ordering Information

Description	Device Color	UPC Number	Catalog Number
Indoor/Outdoor High Bay PIR Sensor, Single Relay with Photocell, 120-480V AC, Integrated 0-10V Dimming, End Mount	White	783585565637	HBSXT14D

Listings

cULus Listed, Meets ASHRAE 90.1, CEC Title 24 Compliant

Specifications

Casing	High-impact injection-molded thermoplastic
Size	4.0" Diameter x 1.5" height
Weight	7 oz.
Mounting	End/Fixture

Performance

Electrical

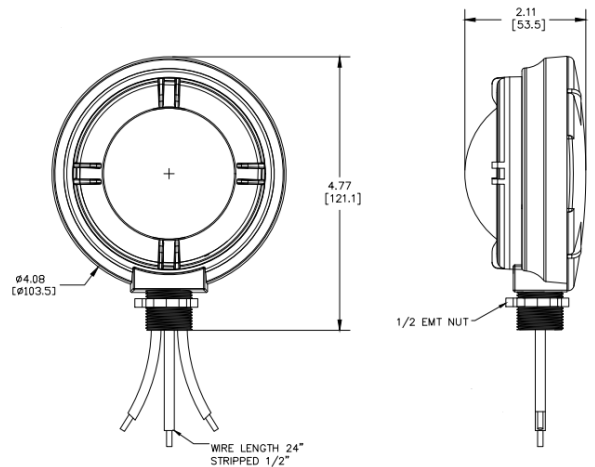
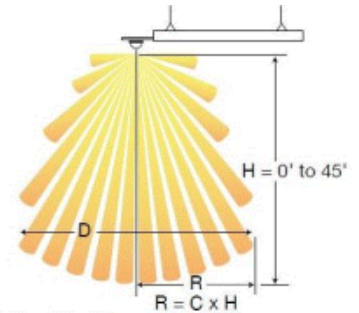
Lighting Load Capacity	120VAC, 60Hz: 0-800W tungsten or standard ballast / 0-600W electronic ballast, 277VAC, 60Hz: 0-1200W ballast, 347VAC, 60Hz: 0-1500W ballast
0-10V Current Sinking Capacity	30mA
Motor Load	1/4-HP motor load @ 120V, 1/6-HP @ 347V
User Interface	12-pin DIP switch

Environmental

Operating Temperature	-40°F to 149°F (-40°C to 65°C)
Moisture Resistance	IP65 Suitability
Relative Humidity	0% to 95%

Function

Primary Time Out	8 second test mode, 4, 8, 16, 30 minutes Unoccupied Dimming Levels 70%, 60%, 50%, 20%
Secondary Time Out	Full Off Timer (Disabled, 60 Minutes)



Online Resources

- Sales Drawing
- eCatalog
- Installation Instructions