

Xcelerator

Jacks

Xcelerator USOC Jack

Features

- RJ-25 USOC (RJ-25) Jack
- Exclusive 1-Punch Termination Reduces Termination Time by 75%
- Mating Cycles Exceed Industry Standard by Four Times
- Bulk Packaging Reduces Excess Waste on the Job

Ordering Information

Description	Color	UPC Number	Catalog No.
Xcelerator USOC Jack	Green	662620824796	HXJUGN

Listings

6-Position USOC Compliant
Mechanical TIA-568-C.2
UL Listed 1863
CSA Certified
RoHS Compliant

Specifications

Nose Contact	Beryllium copper with precious metal plating over nickel under plating
IDC Contact	Phosphor bronze with 100 micro-inch tin lead 60/40 plating over nickel under plating
Housing	High impact thermoplastic (UL 94 V-0)

Performance

Electrical

6-Position USOC Compliant

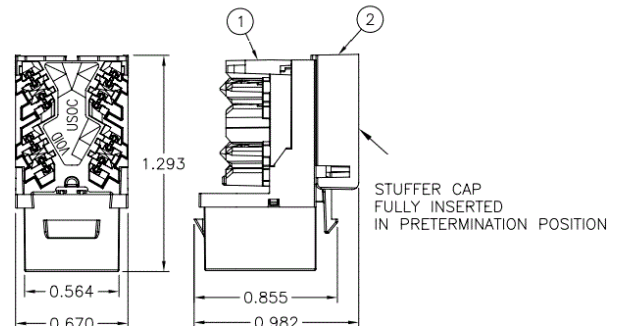
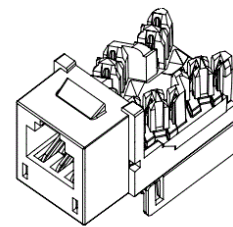
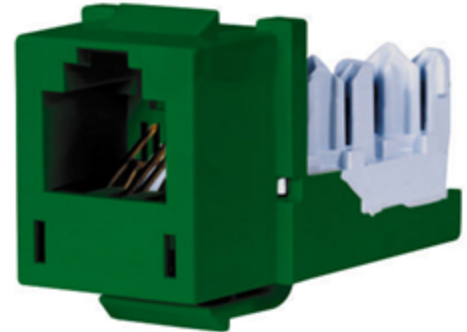
Mechanical

Contact performance confirmed over the full range of ISO/FCC compliant plug
IDC Contact Termination: 10x
Keystone Latching Force: 25 lbs.
Nose Contact Mating Cycles: 2000

Applications

Phone
DSL

HUBBELL



Complementary Products

1-Punch Tool	TX4P
Dust Cover	HXJDC25
Termination Puck	HXTP25

Online Resources

eCatalog

Dimensions in Inches (mm)

Hubbell Wiring Device-Kellems • Hubbell Incorporated (Delaware) • 40 Waterview Drive • Shelton, CT 06484

Phone (800) 288-6000 • Fax (800) 255-1031 • Specifications subject to change without notice.

