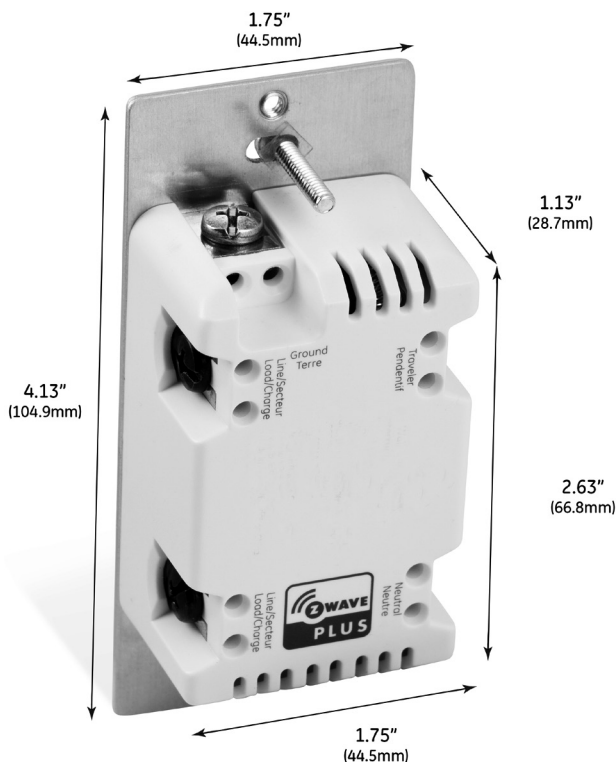
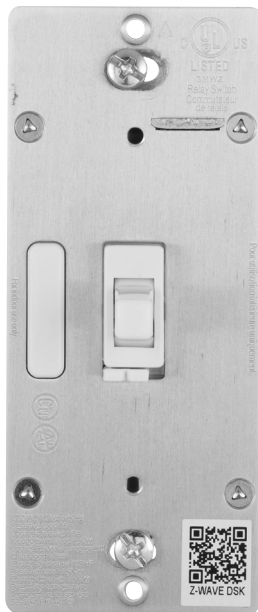


Z-Wave In-wall Toggle Smart Dimmer



New blue LED backlit toggle



Specifications

Power: 120VAC, 60Hz **Signal Frequency:** 908.4/916MHz
Maximum Load: 600W Incandescent, 300 Dimmable CFL/LED
Range: Up to 150 feet from controller or closest Z-Wave device
Operating Temperature: 32-104° F (0-40° C)
Warranty: 5-year limited product warranty
Requires neutral wire. Switch must be mounted indoors

Design Features

- Dual ground ports, which are offset to avoid switch box mounting screws, support daisy-chaining in multi-switch setups
- Remotely monitor with any mobile device*
- Works with Google and Alexa (requires compatible hub*)
- May be used in single pole installation or with up to four iDevices® model IDEVZ03TW Add-on switches in 3, 4, 5 or 6-way wiring configurations
- Works with most dimmable LED, CFL, halogen and all incandescent bulbs
- Turn ON/OFF and control the brightness level of the connected lighting manually or via Z-Wave hub or controller
- New blue LED backlit toggle (with 4 adjustable settings)
- UL Listed to work with dimmable LED & CFLs
- Can be included in multiple Groups and Scenes
- Utilizes the Z-Wave Firmware Update Meta Data command class for standardized firmware updates Over the Air
- Supports Advanced Configuration; Dim rates, Alternate exclusion and minimum and maximum dim levels
- Full Range Dimmability; adjust brightness level from 0-100% in 1% increments
- Screw Terminal installation; requires wiring connections for Line (Hot), Load, Neutral and Ground. Traveler wire required for multi pole installation
- Use a standard toggle wall plate (wall plate not included)
- LED status can be inverted manually changed to invert, always OFF and always ON
- Inline traveler circuit protection
- Z-Wave Plus Certified

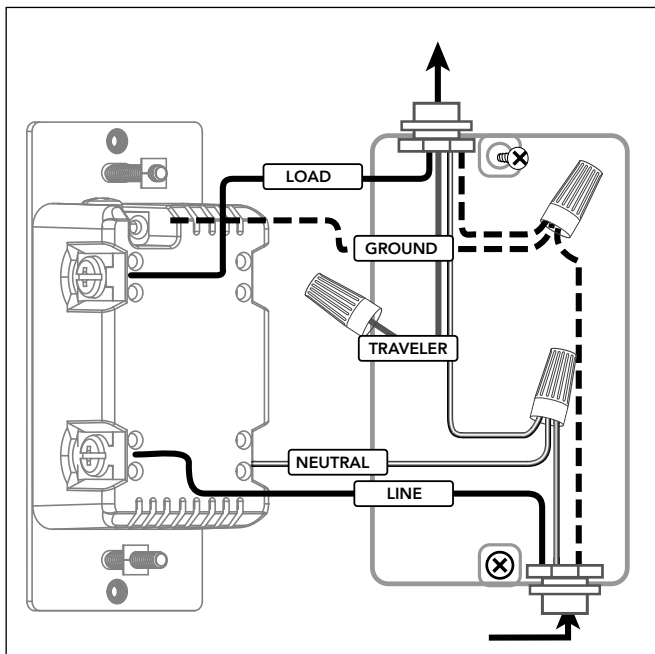
Z-Wave Plus with S2 Security and SmartStart Feature

- Improved battery life and up to 50 percent greater wireless range
- QR codes with unique, industry-standard secure key exchange to add a layer of 128-bit encryption
- Effortless device pairing to Z-Wave S2 and SmartStart certified gateways
- Backward compatible with all generations of Z-Wave devices
- 250% faster processor
- 400% more memory
- 50% more energy efficient
- Supports wireless upgrades to future-proof your home

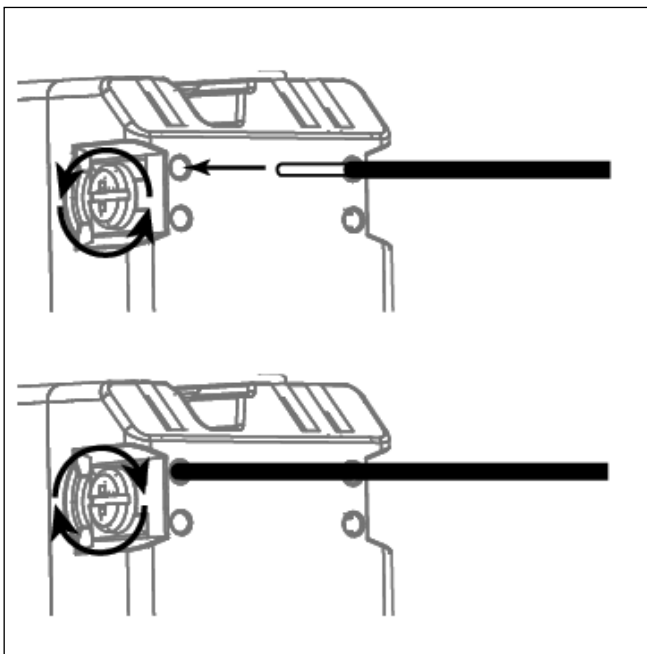
* Requires Z-Wave hub or controller, functions may vary depending on brand.



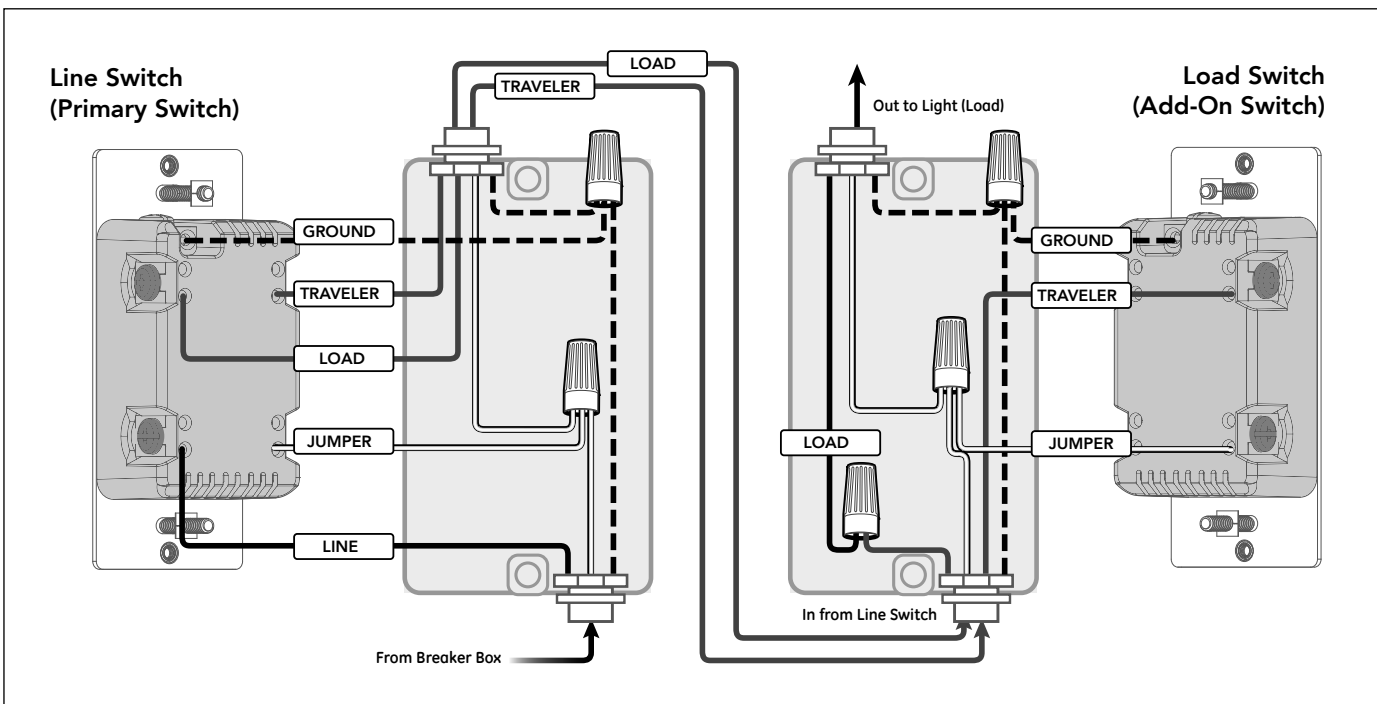
Single Location Wiring



Space-Saving Screw Terminals



Multi-Location Wiring



Installation Recommendations:

- Insert wire into port and tighten screw. Do not wrap wire around screw
- Indoor use only
- Visit <http://www.ezwave.com/hubs> for hub compatibility
- Wallplates sold separately
- Trilingual Instruction manual – (English, French, Spanish)

IDEVZ05TW PRODUCT SPECIFICATIONS

Device Configuration

Adding your device to a Z-Wave network

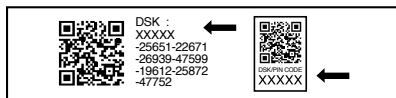
Once the hub is ready to add your smart switch, press up or down on the smart toggle switch to add it in the network.

To remove and reset the device

Once the controller is ready to remove your device, press up or down on the smart toggle switch to remove it from the network.

S2 + SmartStart install

The controller's app will indicate if it has discovered the sensor. If prompted by the controller to enter the S2 security code, refer to the QR code/security number on the back of the box, or the QR code label on the product. Enter the 5-digit code.



To return to factory defaults

Quickly press up on the toggle 3 times, then press the down on the toggle 3 times.

Certifications & Compliances



Compliances, specifications and availability are subject to change without notice.



WIRING DEVICES-KELLEMS
HUBBELL INCORPORATED (DELAWARE)
SHELTON, CT 06484

Questions? Contact our U.S.-based Consumer Care at 1-800-288-6000.
www.hubbell-wiring.com

Related Products - iDevices® Z-Wave Plug-In Products



IDEVZ05DW
In-Wall
Smart Dimmer



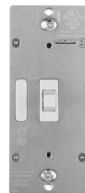
IDEVZ01DW
In-Wall
Smart Switch



IDEVZ01TW
In-Wall
Smart Switch



IDEVZ03DW
Add-On
Switch



IDEVZ03TW
In-Wall Smart
Fan Control



IDEVZ07W
In-Wall Smart
Fan Control



IDEVZ08W
Smart Tamper
Resistant
Receptacle

