

Features

- Fits all Hubbell keystone connections (AV, data and fiber)
- Supplied with paper labels, clear and color match screw covers
- Secure; Requires removal to access connectivity

Ordering Information

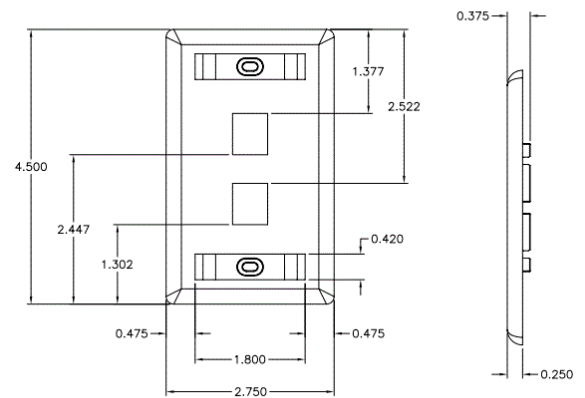
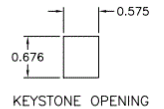
Description	Color	UPC Number	Catalog Number
IFP Wallplate with Label Fields, Single Gang, 2-Port	Ivory	662620826417	IFP12EI

Listings

UL and cUL Listed 1863
RoHS Compliant

Specifications

Plate Material	High-impact thermoplastic (UL 94V-0)
----------------	--------------------------------------



Online Resources

eCatalog