

Straight Blade Devices  
 20A, 125V, 2 Pole, 3 Wire Grounding  
 Commercial Specification Grade Decorator  
 Duplex Receptacles

# HUBBELL

## Features

- Triangle marking on face indicates isolated ground
- Aesthetic Style Line® decorator design
- Triple wipe contacts

## Ordering Information

Description	Device Color	UPC	Catalog Number
Isolated ground, Style Line® decorator, smooth face	Ivory	783585147888	IG20DRI

## Listings

UL Listed to UL498 File No. E2186  
 Certified to CSA C22.2, No. 42  
 Fed. Spec. WC596  
 NEMA® WD-6 Compliant



## Specifications

Face	Nylon
Base	Nylon
Power Contacts	.030 in. (.8) Brass
Ground Contacts	Brass
Wire Clamp	.062 in. (1.6) Nickel plated steel
Terminal Screws	Plated steel
Mounting Strap	.040 in. (1) Galvanized steel
Automatic Self-grounding Staple	Stainless steel
Mounting Screws	Galvanized Steel

## Performance

### Electrical

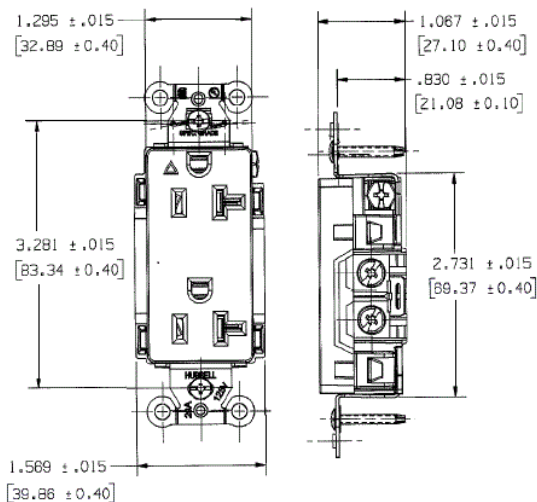
Current Interrupting	Certified for current interrupting at full rated current
Dielectric Voltage	Withstands 2,000V minimum

### Mechanical

Product Identification	Ratings are a permanent part of the device
Terminal Accommodation	#12-#10 AWG copper stranded or solid conductor only
Terminal Identification	Terminals identified in accordance with UL 498 and CSA

### Environmental

Flammability	UL 94 V-2
Operating Temperatures	Maximum continuous 75°C; minimum -40°C (w/o impact)



## Accessories

Wallplate or Weatherproof Cover StyleLine® Decorator Opening

## Resources

Customer Use Drawing  
 eCatalog

Dimensions in Inches (mm)

Hubbell Wiring Device-Kellems • Hubbell Incorporated (Delaware) • 40 Waterview Drive • Shelton, CT 06484

Phone (800) 288-6000 • Fax (800) 255-1031 • Specifications subject to change without notice.

