

## Twist-Lock® Devices

### 20A, 3 Phase 250V AC, 3 Pole, 4 Wire Grounding

#### Single Flush Receptacle

# HUBBELL

#### Features

- Insulation barrier construction isolates ground contact from mounting strap
- Wire restraint recess for both back and side wiring, greatly reduces the possibility of loosening the terminal connection
- High-impact, abuse-resistant nylon face
- All-brass mounting and grounding system provides a lower resistance ground path and greater resistance to corrosion than steel mounting systems

#### Ordering Information

Description	Device Color	UPC	Catalog Number
Isolated ground, nylon	Orange	783585880105	IG2420

#### Listings

Listed to UL 498  
Fed.Spec. W-C-596  
Certified to CSA C22.2 No.42

#### Specifications

Face	Nylon
Base	RTP
Contacts	Brass
Terminal Screws	#10 - 32 Brass
Mounting Strap	Brass

#### Performance

##### Electrical

Current Interrupting Certified for current interrupting at full rated current  
Dielectric Voltage Withstands 2,000V minimum

##### Mechanical

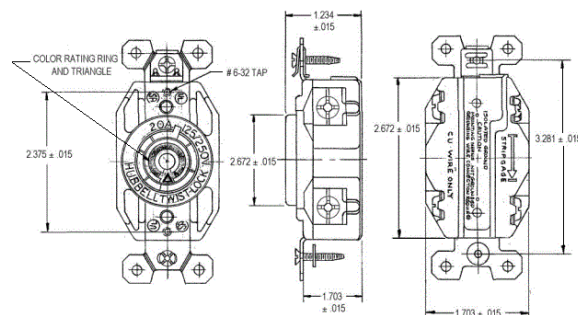
Flammability V2 or better per UL94/CSA 22.2 No.0.17  
Terminal Accommodation #16 AWG - #8 AWG solid or stranded copper wire.  
Terminal Identification Terminals identified in accordance with UL 498

##### Environmental

Moisture Resistance IP20 Suitability  
Operating Temperatures Maximum Continuous 75°C; Minimum -40°C (w/o impact)



20A 3Ø 250V AC  
NEMA L15-20R  
UL/CSA  
3 HP



#### Online Resources

Customer Use Drawing  
eCatalog  
Installation Instructions

#### Accessories

Plug  
Wallplate or Weatherproof Cover

**HBL2421**  
**1.60" Opening**

Dimensions in Inches (mm)

Hubbell Wiring Device-Kellems • Hubbell Incorporated (Delaware) • 40 Waterview Drive • Shelton, CT 06484

Phone (800) 288-6000 • Fax (800) 255-1031 • Specifications subject to change without notice.

