

# Twist-Lock® Devices

## 15A, 250V, 2 Pole, 3 Wire Grounding

### Isolated Ground Receptacle

# HUBBELL

#### Features

- Reinforced thermoplastic construction
- Single piece, all brass contacts
- Single point break-off tabs
- Mounting strap tabs lock the body and base together



15A 250V  
NEMA L6-15R  
UL/CSA



#### Ordering Information

| Description      | Device Color | UPC          | Catalog Number |
|------------------|--------------|--------------|----------------|
| Duplex, isolated | Orange       | 783585002385 | IG4550A        |

#### Listings

Listed to UL 498  
Fed. Spec. W-C-596  
Certified to CSA C22.2 No.42

#### Specifications

|                 |       |
|-----------------|-------|
| Face            | Nylon |
| Base            | RTP   |
| Contacts        | Brass |
| Clamp           | Brass |
| Ground Contact  | Brass |
| Terminal Screws | Brass |

#### Performance

##### Electrical

Current Interrupting Certified for current interrupting at full rated current  
Dielectric Voltage Withstands 2,000V minimum

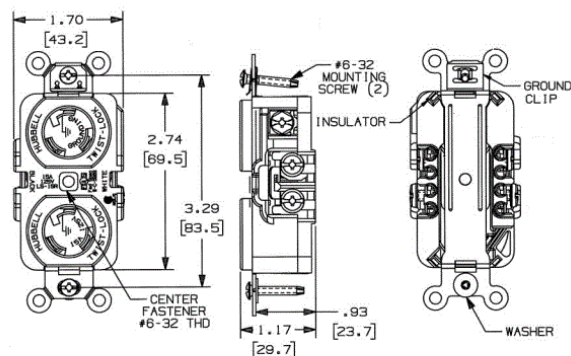
##### Mechanical

Terminal Accommodation #18 AWG - #10 AWG solid or stranded copper wire.

Terminal Identification Terminals identified in accordance with UL 498

##### Environmental

Flammability HB or better per UL94/CSA 22.2 No.0.17  
Moisture Resistance IP20 Suitability  
Operating Temperatures Maximum Continuous 75°C; Minimum -40°C (w/o impact)



#### Online Resources

Customer Use Drawing  
eCatalog  
Installation Instructions

#### Accessories

Plug  
Wallplate or Weatherproof Cover

HBL4570C  
Duplex Openin

Dimensions in Inches (mm)

Hubbell Wiring Device-Kellems • Hubbell Incorporated (Delaware) • 40 Waterview Drive • Shelton, CT 06484

Phone (800) 288-6000 • Fax (800) 255-1031 • Specifications subject to change without notice.

