

Straight Blade Devices
 20A, 125V, 2 Pole, 3 Wire Grounding
 Hubbell-Pro™ Heavy Duty Duplex
 Receptacle

HUBBELL

Features

- Triangle marking on face indicates isolated ground
- Slender/compact design
- Smooth Face

Ordering Information

| Description | Device Color | UPC | Catalog Number |
|--------------------------------------|--------------|--------------|----------------|
| Isolated ground, back and side wired | Gray | 783585146829 | IG5352GY |

Listings

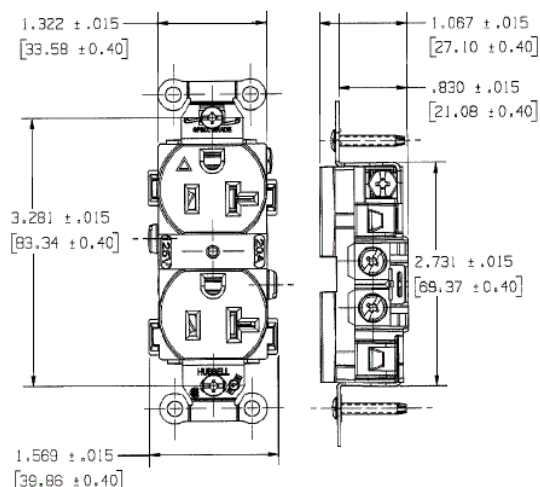
UL Listed to UL498 File No. E2186
 Certified to CSA 22.2, No. 42 File 285
 Fed. Spec. W-C-596
 NEMA® WD-6 Compliant

Specifications

| | |
|-------------------------------|---------------------|
| Face | Nylon |
| Base | Nylon |
| Power Contact | .031" (.8) Brass |
| Ground Contacts | .031" (.8) Brass |
| Clamp | Nickel plated steel |
| Terminal Screws | Brass |
| Mounting Strap | Galvanized steel |
| Automatic Self-grounding Clip | Stainless steel |
| Mounting Screws | Stainless Steel |

Performance

| | |
|-------------------------|--|
| Electrical | |
| Current Interrupting | Certified for current interrupting at full rated current |
| Dielectric Voltage | Withstands 2,000V minimum |
| Mechanical | |
| Product Identification | Ratings are a permanent part of the device |
| Terminal Accommodation | #12-#10 AWG copper stranded or solid conductor only |
| Terminal Identification | Terminals identified in accordance with UL 498 and CSA |
| Environmental | |
| Flammability | UL 94 V-2 |
| Operating Temperatures | Maximum continuous 75°C; minimum -40°C (w/o impact) |



Accessories

Wallplate or Weatherproof Cover Duplex Opening

Resources

Customer Use Drawing
 eCatalog

Dimensions in Inches (mm)

Hubbell Wiring Device-Kellems • Hubbell Incorporated (Delaware) • 40 Waterview Drive • Shelton, CT 06484

Phone (800) 288-6000 • Fax (800) 255-1031 • Specifications subject to change without notice.

