

Hubbell Raceway
Device Plates
Ortronics Bezel

HUBBELL

Features

- For use with PolyTrak raceway
- Removable cover on name plate

Ordering Information

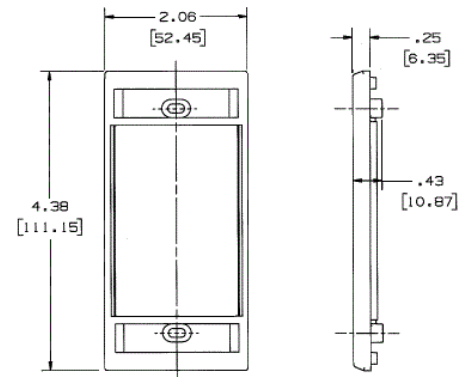
Type	Color	UPC Number
Ortronics Bezel	Gray	783585262987

Listings

UL 514

Specifications

Material	Plastic
Finish	Gray



Related Products

1-Gang Box	PDB12LP
1-Gang Box, deep	PDB12D
2-Gang Box	PDB12TGLV
2-Gang Box, Divided	PDB12TGD

Online Resources

Customer Sales Drawings
eCatalog
Installation Instructions

Dimensions in Inches (mm)

Hubbell Wiring Device-Kellems • Hubbell Incorporated (Delaware) • 40 Waterview Drive • Shelton, CT 06484

Phone (800) 288-6000 • Fax (800) 255-1031 • Specifications subject to change without notice.

