

IEC Pin and Sleeve

30A, 125/250V AC, 3 Pole, 4 Wire

Low Profile Receptacle

Features

- Compact Design
- Molded in non-conductive durable nylon
- Color coded by voltage

Ordering Information

Description	UPC	Catalog Number
Low Profile IEC Pin and Sleeve Receptacle	783585888088	L430R12

Device Color
Orange

Listings

UL Listed, File E146032

Specifications

Housing	Nylon
Contact Carrier	Nylon

Performance

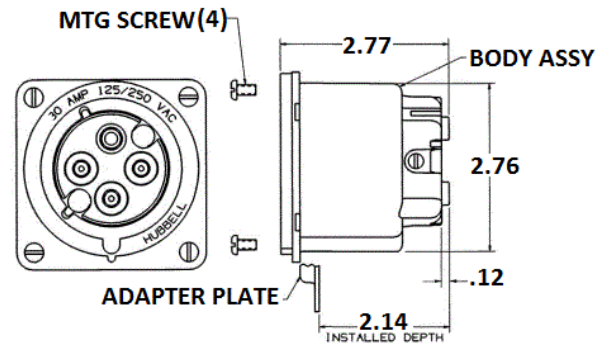
Electrical
Current Interrupting Certified for current interruption at full rated current

Dielectric Voltage Withstands 3,000V AC
Max Working Voltage 250V RMS

Mechanical
Impact Resistance Per CSA C22.2 No. 182.1 / UL1682
Product Identification Identification and ratings are a permanent part of the device housing
Terminal Identification Terminals identified in accordance with North American and IEC conventions

Environmental
Flammability HB or better
Ingress Protection IP22
Operating Temperatures Maximum Continuous 75°C; Minimum - 40°C w/o impact

HUBBELL



Dimensions in Inches (mm)

Hubbell Wiring Device-Kellems • Hubbell Incorporated (Delaware) • 40 Waterview Drive • Shelton, CT 06484

Phone (800) 288-6000 • Fax (800) 255-1031 • Specifications subject to change without notice.

