

## IEC Pin and Sleeve

30A, 3 Phase 250V AC, 3 Pole, 4 Wire

## Low Profile Receptacle

### Features

- Compact Design
- Molded in non-conductive durable nylon
- Color coded by voltage

### Ordering Information

<b>Description</b> Low Profile IEC Pin and Sleeve Receptacle	<b>UPC</b> 783585888101	<b>Catalog Number</b> L430R9
---	----------------------------	---------------------------------

**Device Color**  
Blue

### Listings

UL Listed, File E146032

### Specifications

Housing	Nylon
Contact Carrier	Nylon

### Performance

<b>Electrical</b>	
Current Interrupting	Certified for current interruption at full rated current

Dielectric Voltage	Withstands 3,000V AC
Max Working Voltage	250V RMS

### Mechanical

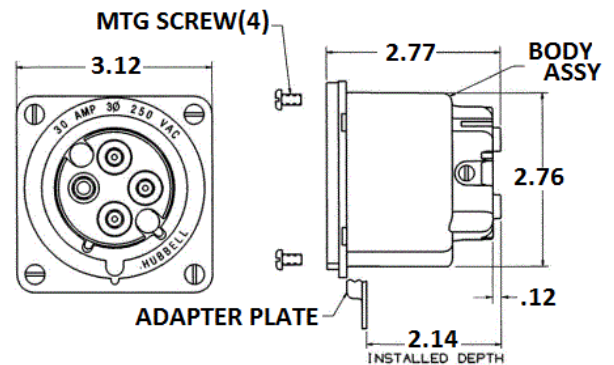
Impact Resistance	Per CSA C22.2 No. 182.1 / UL1682
Product Identification	Identification and ratings are a permanent part of the device housing

Terminal Identification	Terminals identified in accordance with North American and IEC conventions
-------------------------	--

### Environmental

Flammability	HB or better
Ingress Protection	IP22
Operating Temperatures	Maximum Continuous 75°C; Minimum - 40°C w/o impact

# HUBBELL



Dimensions in Inches (mm)

Hubbell Wiring Device-Kellems • Hubbell Incorporated (Delaware) • 40 Waterview Drive • Shelton, CT 06484

Phone (800) 288-6000 • Fax (800) 255-1031 • Specifications subject to change without notice.

