

Lighting Controls Residential / Light Commercial Rocker Dimmer Switch

0-10V LED, Three Way

Single Pole, 10A 120VAC, 5A 277 VAC

HUBBELL

Features

- Control for 0-10V LED loads only
- Trim Adjustment for Fine Tuning
- Digital Circuit Controlled
- Decorator Rocker Styling
- UL/cUL listed

Ordering Information

Description	Color	UPC	Catalog Number
Low Voltage Decorator Rocker Dimmer, 0-10V LED 10 A	Ivory	783585565798	LCD0108DI

Listings

UL/cUL listed

Specifications

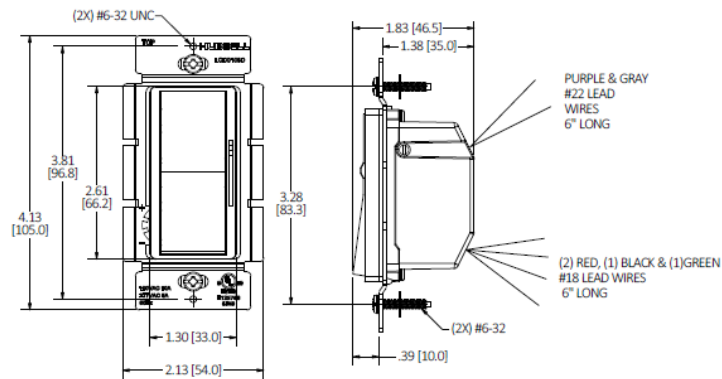
Input Voltage	120V / 60Hz, 277V 60Hz
Lamp Type	0-10 V LED Lamps with or without Ballast, Forward Phase Cut
Wiring Type	Leads
Number of Poles	3 Pole, 4 Wire
Height	4.25 in.
Depth	2.0 in.
Width	2.5 in.
Weight	0.20 lbs.

Performance

Electrical	
Compatibility	UL 1472, CEC Title 24, NEMA SSL 7A
Dielectric Voltage	Withstands 1500V AC minimum for 1 minute
Max. Continuous Current	5A
Max. Working Voltage	277V AC
Overload	Minimum 1.5 times rated current for 100 cycles

Environmental

Flammability	UL 94V-2
--------------	----------



Online Resources

Customer Sales Drawings
eCatalog

Dimensions in Inches (mm)

Hubbell Wiring Device-Kellems • Hubbell Incorporated (Delaware) • 40 Waterview Drive • Shelton, CT 06484

Phone (800) 288-6000 • Fax (800) 255-1031 • Specifications subject to change without notice.

