

# Lighting Controls Residential / Light Commercial Slide Dimmer Switch

0-10V LED, Three Way

Single Pole, 10A 120VAC, 5A 277 VAC

# HUBBELL

## Features

- Control for 0-10V LED loads only
- Trim Adjustment for Fine Tuning
- Digital Circuit Controlled
- Decorator Slide Styling
- UL/cUL listed

## Ordering Information

Description	Color	UPC	Catalog Number
Low Voltage Decorator Slide Dimmer, 0-10V LED 10 A	Ivory	783585565828	LCD0108SI

## Listings

UL/cUL listed

## Specifications

Input Voltage	120V / 60Hz, 277V 60Hz
Lamp Type	0-10 V LED Lamps with or without Ballast, Forward Phase Cut
Wiring Type	Terminals, Leads for Load
Number of Poles	3 Pole, 4 Wire
Height	4.25 in.
Depth	2.0 in.
Width	2.5 in.
Weight	0.20 lbs.

## Performance

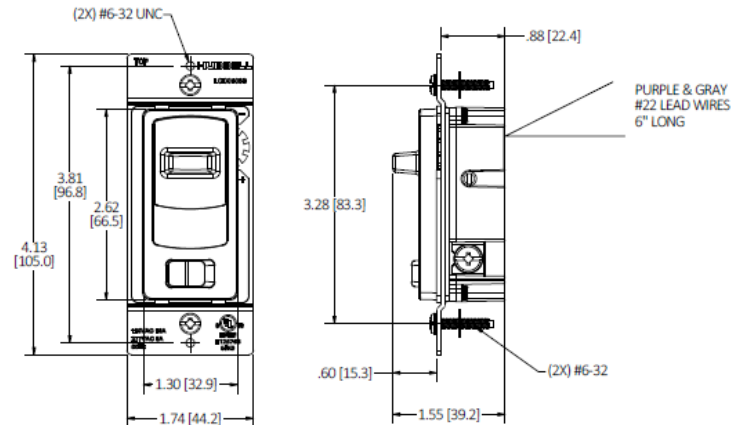
Electrical	
Compatibility	UL 1472, CEC Title 24, NEMA SSL 7A
Dielectric Voltage	Withstands 1500V AC minimum for 1 minute
Max. Continuous Current	5A
Max. Working Voltage	277V AC
Overload	Minimum 1.5 times rated current for 100 cycles

## Mechanical

Terminal Accomodations	#14 AWGmin. - #12 AWG max. solid and stranded copper wire only
------------------------	--

## Environmental

Flammability	UL 94V-2
--------------	----------



## Online Resources

Customer Sales Drawings  
eCatalog

Dimensions in Inches (mm)

Hubbell Wiring Device-Kellems • Hubbell Incorporated (Delaware) • 40 Waterview Drive • Shelton, CT 06484

Phone (800) 288-6000 • Fax (800) 255-1031 • Specifications subject to change without notice.

