

Lighting Controls Residential / Light Commercial Slide Dimmer Switch

0-10V LED, Three Way

Single Pole, 10A 120VAC, 5A 277 VAC

HUBBELL

Features

- Control for 0-10V LED loads only
- Trim Adjustment for Fine Tuning
- Digital Circuit Controlled
- Decorator Slide Styling
- UL/cUL listed

Ordering Information

| Description | Color | UPC | Catalog Number |
|--|--------------|--------------|----------------|
| Low Voltage Decorator Slide Dimmer, 0-10V LED 10 A | Light Almond | 783585565811 | LCD0108SLA |

Listings

UL/cUL listed

Specifications

| | |
|-----------------|---|
| Input Voltage | 120V / 60Hz, 277V 60Hz |
| Lamp Type | 0-10 V LED Lamps with or without Ballast, Forward Phase Cut |
| Wiring Type | Terminals, Leads for Load |
| Number of Poles | 3 Pole, 4 Wire |
| Height | 4.25 in. |
| Depth | 2.0 in. |
| Width | 2.5 in. |
| Weight | 0.20 lbs. |

Performance

Electrical

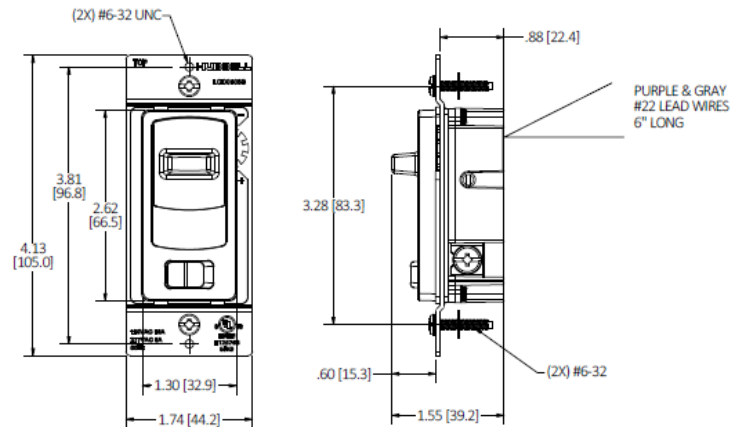
| | |
|-------------------------|--|
| Compatibility | UL 1472, CEC Title 24, NEMA SSL 7A |
| Dielectric Voltage | Withstands 1500V AC minimum for 1 minute |
| Max. Continuous Current | 5A |
| Max. Working Voltage | 277V AC |
| Overload | Minimum 1.5 times rated current for 100 cycles |

Mechanical

| | |
|------------------------|--|
| Terminal Accomodations | #14 AWGmin. - #12 AWG max. solid and stranded copper wire only |
|------------------------|--|

Environmental

| | |
|--------------|----------|
| Flammability | UL 94V-2 |
|--------------|----------|



Online Resources

Customer Sales Drawings
eCatalog

Dimensions in Inches (mm)

Hubbell Wiring Device-Kellems • Hubbell Incorporated (Delaware) • 40 Waterview Drive • Shelton, CT 06484

Phone (800) 288-6000 • Fax (800) 255-1031 • Specifications subject to change without notice.

