

Lighting Controls Residential Rocker Dimmer Switch

200W LED/CFL, 600W Incandescent 1.5A

Single Pole, Three Way, 120 VAC

HUBBELL

Features

- Trim Adjustment for Fine Tuning
- Digital Circuit Controlled
- Decorator Rocker Styling
- UL/cUL listed

Ordering Information

Description	Color	UPC	Catalog Number
Decorator Rocker Dimmer 200W CFL/LED, 600W Incandescent	Light Almond	783585565729	LCD150DLA

Listings

UL/cUL listed

Specifications

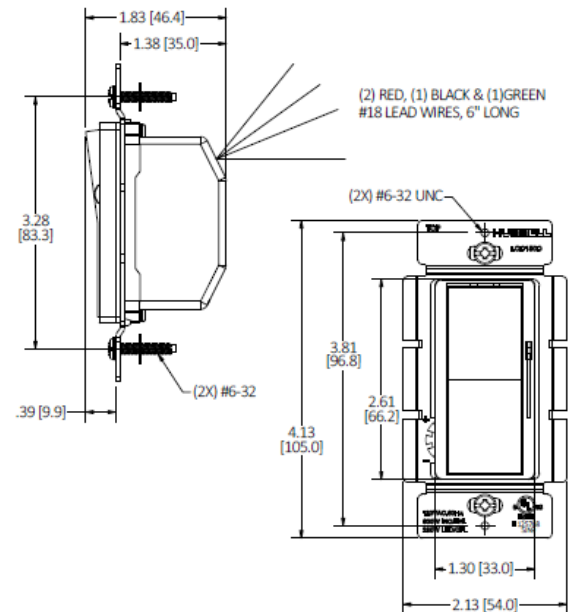
Input Voltage	120V / 60Hz
Lamp Type	Dimmable, LED/CFL, Incandescent, Forward Phase Cut
Wiring Type	Leads
Number of Poles	3 Pole, 4 Wire
Height	4.25 in.
Depth	2.0 in.
Width	2.5 in.
Weight	0.25 lbs.

Performance

Electrical	
Compatibility	UL 1472, CEC Title 24, NEMA SSL 7A
Dielectric Voltage	Withstands 1500V AC minimum for 1 minute
Max. Continuous Current	1.25A
Max. Working Voltage	120V AC
Overload	Minimum 1.5 times rated current for 100 cycles

Environmental

Flammability	UL 94V-2
--------------	----------



Online Resources

Customer Sales Drawings
eCatalog

Dimensions in Inches (mm)

Hubbell Wiring Device-Kellems • Hubbell Incorporated (Delaware) • 40 Waterview Drive • Shelton, CT 06484

Phone (800) 288-6000 • Fax (800) 255-1031 • Specifications subject to change without notice.

