

Lighting Controls Residential Rocker Dimmer Switch

200W LED/CFL, 600W Incandescent 1.5A

Single Pole, Three Way, 120 VAC

HUBBELL

Features

- Trim Adjustment for Fine Tuning
- Digital Circuit Controlled
- Decorator Rocker Styling
- UL/cUL listed

Ordering Information

| Description | Color | UPC | Catalog Number |
|---|-------|--------------|----------------|
| Decorator Rocker Dimmer 200W CFL/LED, 600W Incandescent | White | 783585565712 | LCD150DW |

Listings

UL/cUL listed

Specifications

| | |
|-----------------|---|
| Input Voltage | 120V / 60Hz |
| Lamp Type | Dimmable, LED/CFL, Incandescent, Forward Phase Cut |
| Wiring Type | Leads |
| Number of Poles | 3 Pole, 4 Wire |
| Height | 4.25 in. |
| Depth | 2.0 in. |
| Width | 2.5 in. |
| Weight | 0.25 lbs. |

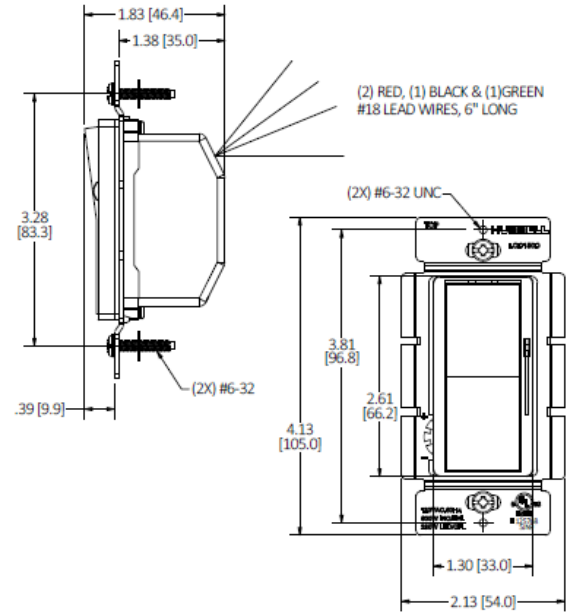
Performance

Electrical

| | |
|-------------------------|--|
| Compatibility | UL 1472, CEC Title 24, NEMA SSL 7A |
| Dielectric Voltage | Withstands 1500V AC minimum for 1 minute |
| Max. Continuous Current | 1.25A |
| Max. Working Voltage | 120V AC |
| Overload | Minimum 1.5 times rated current for 100 cycles |

Environmental

| | |
|--------------|----------|
| Flammability | UL 94V-2 |
|--------------|----------|



Online Resources

Customer Sales Drawings
eCatalog

Dimensions in Inches (mm)

Hubbell Wiring Device-Kellems • Hubbell Incorporated (Delaware) • 40 Waterview Drive • Shelton, CT 06484

Phone (800) 288-6000 • Fax (800) 255-1031 • Specifications subject to change without notice.

