

## Lighting Controls Residential Slide Dimmer Switch

200W LED/CFL, 600W Incandescent 1.5A

Single Pole, Three Way, 120 VAC

# HUBBELL

### Features

- Trim Adjustment for Fine Tuning
- Digital Circuit Controlled
- Decorator Slide Styling
- UL/cUL listed

### Ordering Information

Description	Color	UPC	Catalog Number
Decorator Slide Dimmer 200W CFL/LED, 600W Incandescent	Ivory	783585565767	LCD150SI

### Listings

UL/cUL listed

### Specifications

Input Voltage	120V / 60Hz
Lamp Type	Dimmable, LED/CFL, Incandescent, Forward Phase Cut
Wiring Type	Terminals
Number of Poles	3 Pole, 4 Wire
Height	4.25 in.
Depth	2.0 in.
Width	2.5 in.
Weight	0.25 lbs.

### Performance

#### Electrical

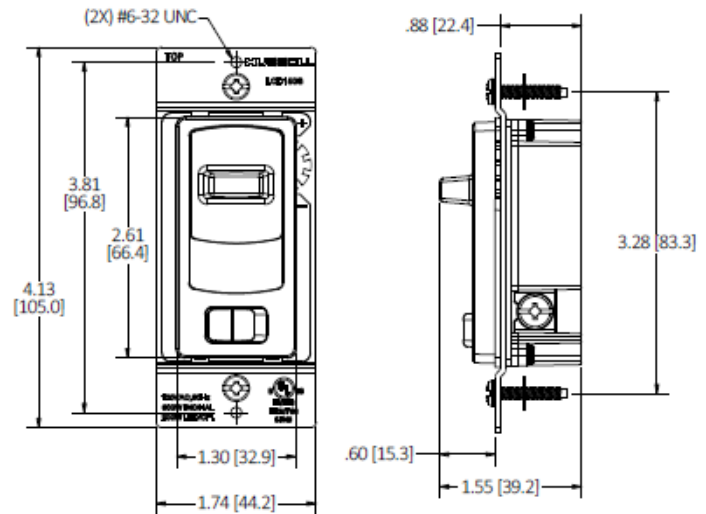
Compatibility	UL 1472, CEC Title 24, NEMA SSL 7A
Dielectric Voltage	Withstands 1500V AC minimum for 1 minute
Max. Continuous Current	1.25A
Max. Working Voltage	120V AC
Overload	Minimum 1.5 times rated current for 100 cycles

#### Mechanical

Terminal Accomodations	#14 AWGmin. - #12 AWG max. solid and stranded copper wire only
------------------------	---

#### Environmental

Flammability	UL 94V-2
--------------	----------



### Online Resources

Customer Sales Drawings  
eCatalog

Dimensions in Inches (mm)

Hubbell Wiring Device-Kellems • Hubbell Incorporated (Delaware) • 40 Waterview Drive • Shelton, CT 06484

Phone (800) 288-6000 • Fax (800) 255-1031 • Specifications subject to change without notice.

