

Lighting Controls Residential Toggle Dimmer Switch

150W LED/CFL, 600W Incandescent 1.5A

Single Pole, Three Way, 120 VAC

HUBBELL

Features

- Trim Adjustment for Fine Tuning
- Digital Circuit Controlled
- Traditional Toggle Styling
- UL/cUL listed

Ordering Information

Description	Color	UPC	Catalog Number
Toggle Dimmer 150W CFL/LED, 600W Incandescent	Light Almond	783585565842	LCD150TLA

Listings

UL/cUL listed

Specifications

Input Voltage	120V / 60Hz
Lamp Type	Dimmable, LED/CFL, Incandescent, Forward Phase Cut
Wiring Type	Terminals
Number of Poles	3 Pole, 4 Wire
Height	4.25 in.
Depth	2.0 in.
Width	2.0 in.
Weight	0.20 lbs.

Performance

Electrical	
Compatibility	UL 1472, CEC Title 24, NEMA SSL 7A
Dielectric Voltage	Withstands 1500V AC minimum for 1 minute
Max. Continuous Current	1.25A
Max. Working Voltage	120V AC
Overload	Minimum 1.5 times rated current for 100 cycles

Mechanical

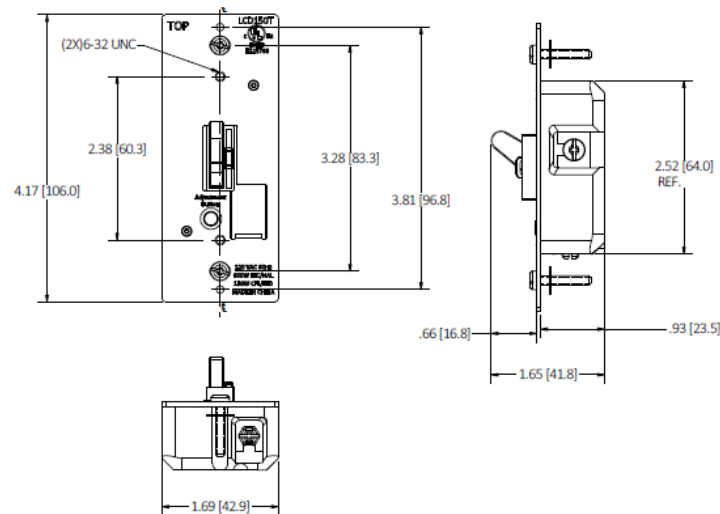
Terminal Accomodations	#14 AWGmin. - #12 AWG max. solid and stranded copper wire only
------------------------	---

Environmental

Flammability	UL 94V-2
--------------	----------

Flammability

Operating Temperature	14°F TO 104°F [-10°C TO 40°C]
-----------------------	-------------------------------



Online Resources

Customer Sales Drawings
eCatalog

Dimensions in Inches (mm)

Hubbell Wiring Device-Kellems • Hubbell Incorporated (Delaware) • 40 Waterview Drive • Shelton, CT 06484

Phone (800) 288-6000 • Fax (800) 255-1031 • Specifications subject to change without notice.

