

Lighting Controls Residential Rocker Dimmer Switch

300W LED/CFL, 600W Incandescent 1.5A

Single Pole, Three Way, 120 VAC

HUBBELL

Features

- Trim Adjustment for Fine Tuning
- In-use Indicator Light
- Digital Circuit Controlled
- Decorator Rocker Styling
- UL/cUL listed

Ordering Information

| Description | Color | UPC | Catalog Number |
|--|-------|--------------|----------------|
| Decorator Rocker Dimmer 300W CFL/LED, 600W Incandescent, Indicator light | White | 783585565866 | LCD300DW |

Listings

UL/cUL listed

Specifications

| | |
|-----------------|---|
| Input Voltage | 120V / 60Hz |
| Lamp Type | Dimmable, LED/CFL, Incandescent, Forward Phase Cut |
| Wiring Type | Terminals |
| Number of Poles | 3 Pole, 4 Wire |
| Height | 4.25 in. |
| Depth | 2.0 in. |
| Width | 2.0 in. |
| Weight | 0.25 lbs. |

Performance

| Electrical | |
|-------------------------|--|
| Compatibility | UL 1472, CEC Title 24, NEMA SSL 7A |
| Dielectric Voltage | Withstands 1500V AC minimum for 1 minute |
| Max. Continuous Current | 2.5A |
| Max. Working Voltage | 120V AC |
| Overload | Minimum 1.5 times rated current for 100 cycles |

Mechanical

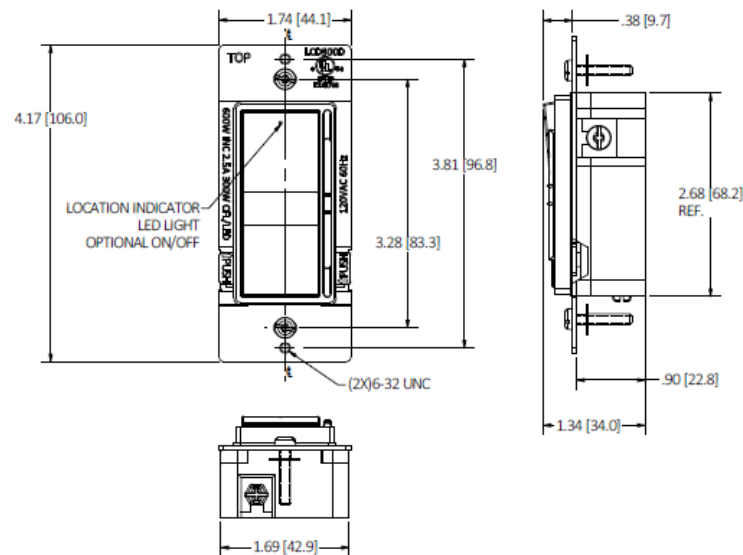
| | |
|------------------------|---|
| Terminal Accomodations | #14 AWGmin. - #12 AWG max. solid and stranded copper wire only |
|------------------------|---|

Environmental

| | |
|--------------|----------|
| Flammability | UL 94V-2 |
|--------------|----------|

Flammability

| | |
|-----------------------|-------------------------------|
| Operating Temperature | -4°F TO 104°F [-20°C TO 40°C] |
|-----------------------|-------------------------------|



Online Resources

Customer Sales Drawings
eCatalog

Dimensions in Inches (mm)

Hubbell Wiring Device-Kellems • Hubbell Incorporated (Delaware) • 40 Waterview Drive • Shelton, CT 06484

Phone (800) 288-6000 • Fax (800) 255-1031 • Specifications subject to change without notice.

