

## Floor Boxes

### Recessed Floor Box Covers

# HUBBELL

### Ordering Information

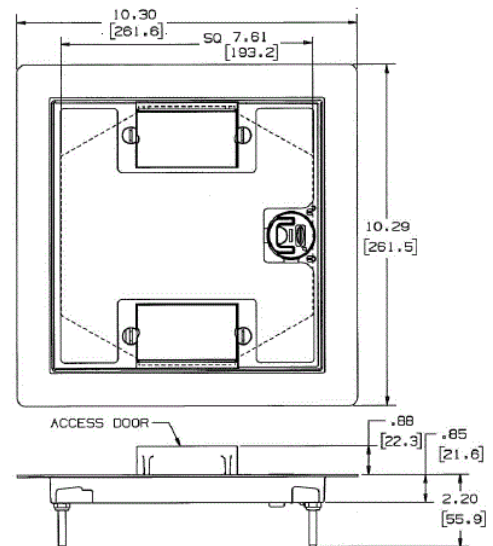
Description	Device Color	UPC	Catalog Number
Metallic Cover, for	Aluminum	783585002972	LCFBCALC

### Listings

UL File Number E31999  
CSA File Number LR18416

### Specifications

Material	Cast Aluminum
----------	---------------



### Online Resources

[Customer Use Drawing](#)  
[eCatalog](#)  
[Installation Instructions](#)

Dimensions in Inches (mm)

Hubbell Wiring Device-Kellems • Hubbell Incorporated (Delaware) • 40 Waterview Drive • Shelton, CT 06484

Phone (800) 288-6000 • Fax (800) 255-1031 • Specifications subject to change without notice.

