

# Floor Boxes

## Recessed Floor Box Covers



### Ordering Information

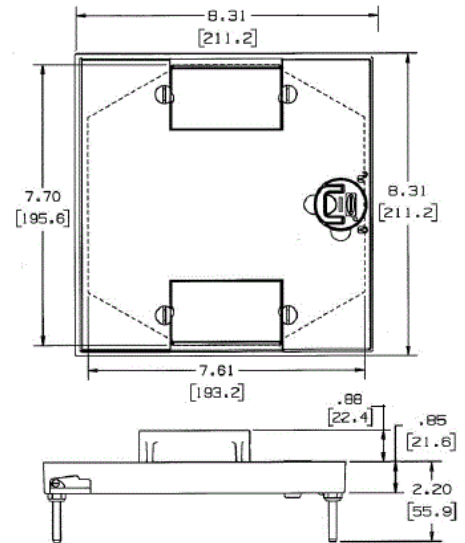
Description	Device Color	UPC	Catalog Number
Smooth Metallic Cover	Aluminum	783585003108	LCFBCALT

### Listings

UL File Number E31999  
CSA File Number LR18416

### Specifications

Material	Cast Aluminum
----------	---------------



### Online Resources

- [Customer Use Drawing](#)
- [eCatalog](#)
- [Installation Instructions](#)

Dimensions in Inches (mm)

Hubbell Wiring Device-Kellems • Hubbell Incorporated (Delaware) • 40 Waterview Drive • Shelton, CT 06484

Phone (800) 288-6000 • Fax (800) 255-1031 • Specifications subject to change without notice.

