

Floor Boxes

Recessed Floor Box Covers

HUBBELL

Ordering Information

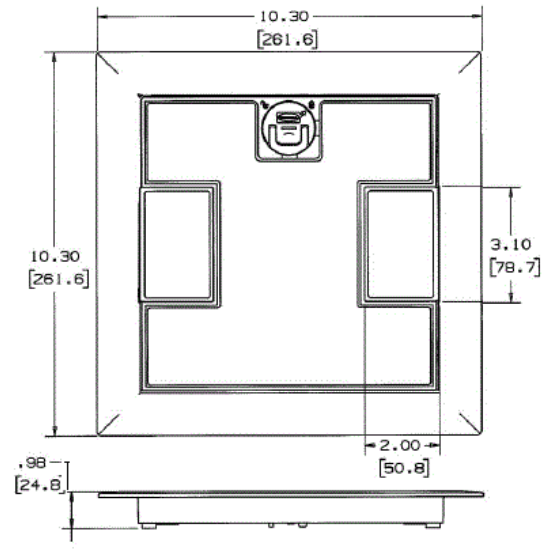
Description	Device Color	UPC	Catalog Number
Reinforced	Black	783585000671	LCFBCBKA

Listings

UL File Number E31999
CSA File Number LR18416

Specifications

Material	Cast Aluminum
----------	---------------



Online Resources

[Customer Use Drawing](#)
[eCatalog](#)
[Installation Instructions](#)

Dimensions in Inches (mm)

Hubbell Wiring Device-Kellems • Hubbell Incorporated (Delaware) • 40 Waterview Drive • Shelton, CT 06484

Phone (800) 288-6000 • Fax (800) 255-1031 • Specifications subject to change without notice.

