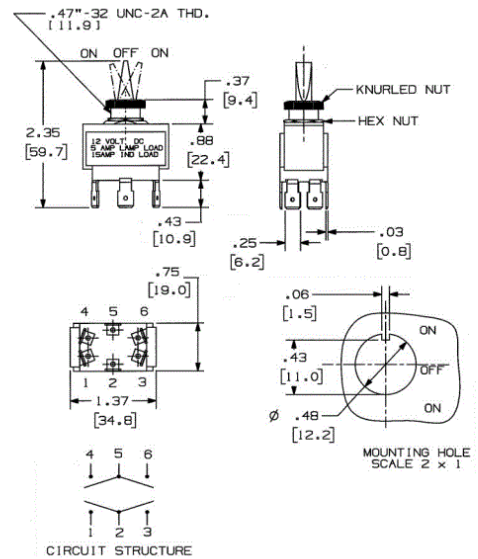


Ordering Information

Description	Typical	Key	UPC Number	Catalog Number
Double pole, double throw, ON/OFF/ON	Navigation lights, wipers, dual fuel tanks	1	783585904900	M223SP



Online Resources

Customer Sales Drawings
eCatalog