

## Metallic Four-Way Angle Back Box

### Ordering Information

Description	UPC	Catalog Number
Metallic Back Box, Pin and Sleeve Insulgrip, Angle	783585011240	MB601003W

**Product Type**  
Accessories

### Standards

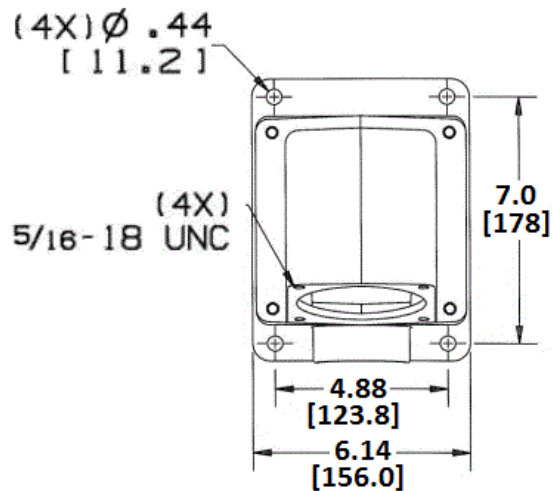
UL Listed  
CSA Certified

### Specifications

Gaskets	Neoprene
Hinge Spring	Stainless Steel
Assembly Screws	Stainless Steel
Box Hub Size	1 1/2" NPT

### Performance

Electrical	
Current Interrupting	Certified for current interrupting at full rated current
Dielectric Voltage	Withstands 3,000V AC
Max Working Voltage	600V AC RMS
Mechanical	
Impact Resistance	In accordance with UL746C
Product Identification	Identification and ratings are a part of the external label and molded into the receptacle mount
Terminal Identification	Terminals identified in accordance with North American and International conventions
Environmental	
Flammability	UL94-5VA and V-0 classification
Operating Temperatures	Max. Continuous: 75° C; Min. Continuous: -40° C w/o impact



### Online Resources

Customer Use Drawing  
eCatalog  
Installation Instructions