

netSELECT  
**In-Wall AV Delivery**  
**FPTV In-Wall Connection Enclosure**

# HUBBELL

**Features**

- Provides Recessed AV, Power, and Data Connections
- Allows Large, High Density Cables to Fit in the Smallest Footprint Possible
- In-wall Connections Allow Flat Panel Displays to Sit Flush Without Dangling Cords
- Easily Mounts to Studs or Sheetrock Without Additional Hardware

**Ordering Information**

| Description                              | Color | Catalog Number | UPC Number   |
|--|-------|----------------|--------------|
| 4-Gang In-Wall FPTV Connection Enclosure | White | NSAV124M       | 883778504884 |

**Listings**

UL Listed  
 UL V0 Flame Rating on ABS Trim Ring  
 RoHS Compliant

**Specifications**

|                                |                                     |
|--------------------------------|-------------------------------------|
| Base Material                  | 18 Gauge Cold Rolled Steel          |
| Surface Finish                 | White Powder Coat                   |
| Trim Ring                      | High Impact Thermoplastic (ABS)     |
| Dimensions in (mm) (H x W x D) | 8.16 (207) x 7.92 (201) x 3.37 (86) |

**Applications**

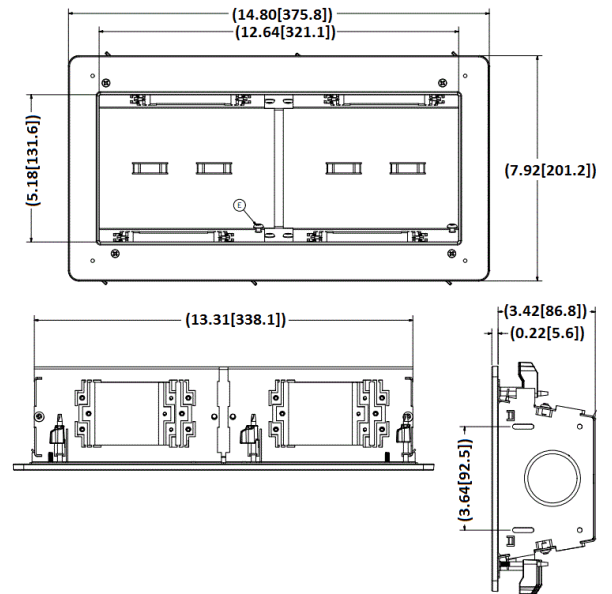
Interactive Whiteboards  
 Flat Panel Displays  
 Small Wireless Aps  
 Multimedia Workstations

**Accessories**

|                           |         |
|---------------------------|---------|
| Power Kit                 | NSOKPTR |
| Surge Protected Power Kit | NSOKPS  |
| Cover                     | NSAV12C |
| New Construction Bracket  | NSAV6NW |

**Online Resources**

eCatalog



Dimensions in Inches (mm)

Hubbell Wiring Device-Kellems • Hubbell Incorporated (Delaware) • 40 Waterview Drive • Shelton, CT 06484 Phone (800) 288-6000 • Fax (800) 255-1031  
 Specifications subject to change without notice.

