

# AV In-Wall Enclosure 2-Gang Plate Recessed Cable Pass-thru

# HUBBELL

## Features

- Easily mounts to sheetrock or box
- Large 3 inch opening

## Ordering Information

Description	Device Color	UPC	Catalog Number
Smooth face	Ivory	88377850467	NSAV2I

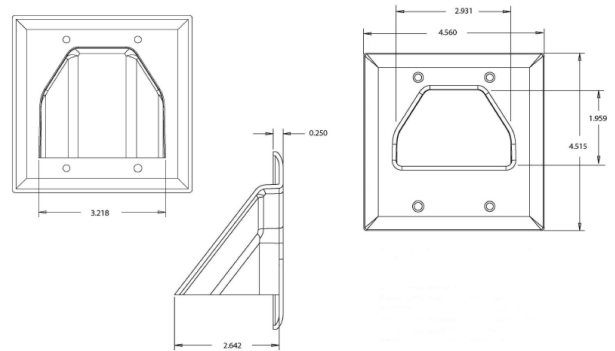


## Listings

cETLus Intertek 3026001

## Specifications

Mounting Screws	3/4 in. Painted Steel
Plate	Thermoplastic



## Online Resources

[Customer Use Drawing](#)  
[eCatalog](#)

## Performance

### Environmental

Flammability	UL 94 V-2
Operating Temperatures	Maximum continuous 75°C; minimum -40°C (w/o impact)

Dimensions in Inches (mm)

Hubbell Wiring Device-Kellems • Hubbell Incorporated (Delaware) • 40 Waterview Drive • Shelton, CT 06484

Phone (800) 288-6000 • Fax (800) 255-1031 • Specifications subject to change without notice.

