

Category 5e Jack

Features

- IDC Pair Splitting Tower Allows for Minimum Disruption to Cable Twist
- Compatible with Standard 110 Termination Tools
- Standard HPW Keystone Mounting
- Backwards Compatible to Category 5 and 3

Ordering Information

Description	Color	UPC Number	CatalogNumber
Modular Snap Fit Category 5e Jack, Single	Blue	883778500084	NSJ5EB

Listings

UL Listed
ANSI/TIA 568-C.2 Category 5e Channel Compliant
RoHS Compliant

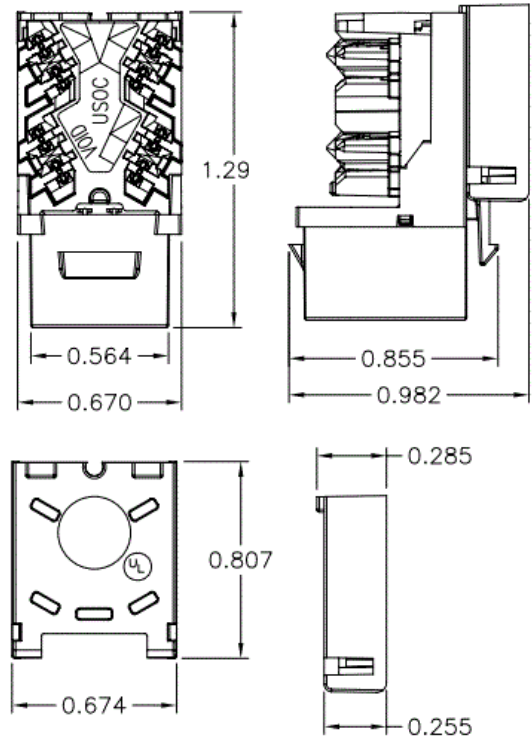
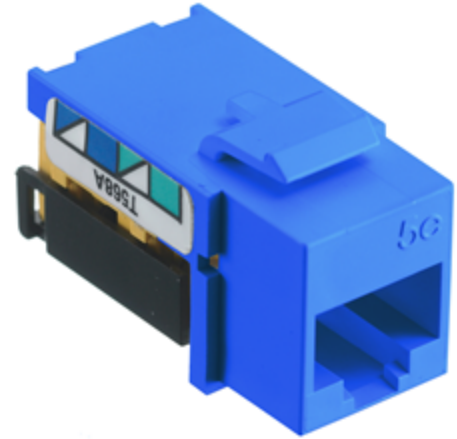
Specifications

Base Material	18 Gauge Cold Rolled Steel
Surface Finish	White Powder Coat
Trim Ring	High Impact Thermoplastic (ABS)
Dimensions in (mm) (H x W x D)	14.80 (376) x 7.92 (201) x 3.37 (86)

Applications

Ethernet 10/100/1000BASE-T

HUBBELL



Online Resources

Customer Use Drawing
eCatalog