

Features

- IDC Pair Splitting Tower Allows for Minimum Disruption to Cable Twist
- Compatible with Standard 110 Termination Tools
- Standard HPW Keystone Mounting
- Backwards Compatible to Category 5e, 5 and 3

Ordering Information

Description	Color	UPC Number	CatalogNumber
Modular Snap Fit Category 6 Jack, Single	Green	883778503030	NSJ6GN

Listings

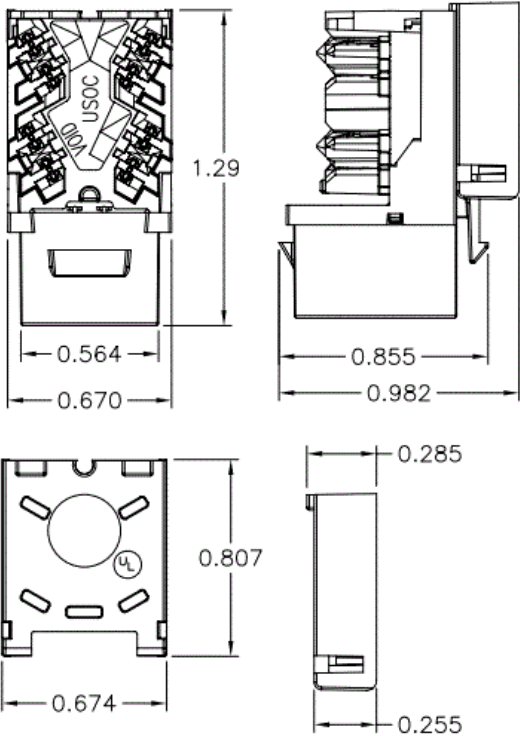
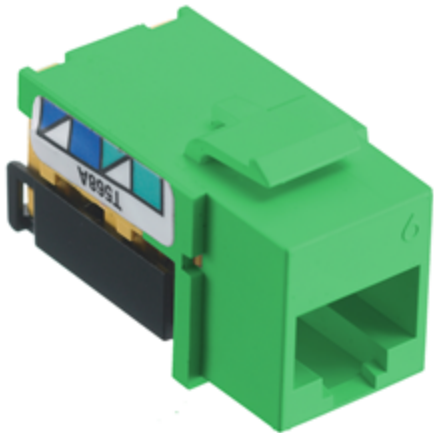
UL Listed
ANSI/TIA 568-C.2 Category 6 Channel Compliant
RoHS Compliant

Specifications

Housing Material	High Impact Thermoplastic UL 94 V-0
------------------	-------------------------------------

Applications

Ethernet 10/100/1000BASE-T



Online Resources

Customer Use Drawing
eCatalog