

netSELECT

## Network Enclosures

### 14-Inch Network Enclosure

# HUBBELL

#### Features

- Hinged Cover Incorporates Trim Ring and Can Be Mounted To Swing From Either Side
- Hinged Cover Incorporates Trim Ring and Can Be Mounted To Swing From Either Side

#### Ordering Information

Description	Color	UPC Number	CatalogNumber
Hinged Door For 14-Inch Network Enclosure	White	883778503146	NSOBOX14D

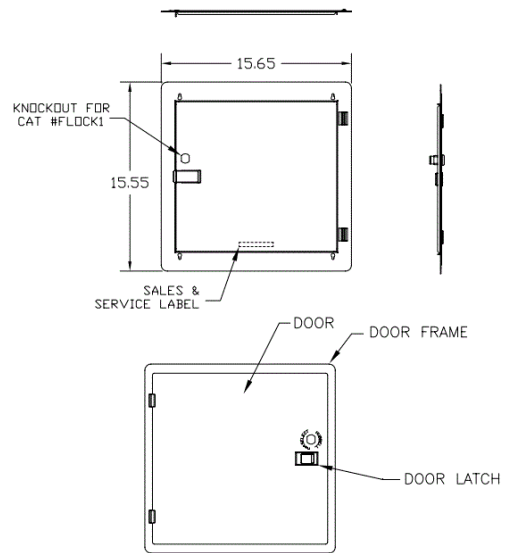


#### Listings

UL and cUL Listed  
RoHS Compliant

#### Specifications

Material	18 Gauge Steel
Finish	White, Powder Coat
Dimensions in (mm) (H x W x D)	14.00 (356) x 14.38 (365) x 3.96 (101)
Module Unit Capacity	5
Includes	Mounting Hardware Kit and Wiring Label



#### Complementary Products

14" netSELECT Enclosure	NSOBOX14B
-------------------------	-----------

#### Online Resources

Customer Use Drawing  
eCatalog

Dimensions in Inches (mm)

Hubbell Wiring Device-Kellems • Hubbell Incorporated (Delaware) • 40 Waterview Drive • Shelton, CT 06484

Phone (800) 288-6000 • Fax (800) 255-1031 • Specifications subject to change without notice.

