

Raceway
Non-Metallic Raceway
PB2 BaseTrak® Cover

HUBBELL

Features

- Cover allows access to multiple channels.
- Available in 5 ft. (1.5m) and 10 ft. (3m) lengths.

Ordering Information

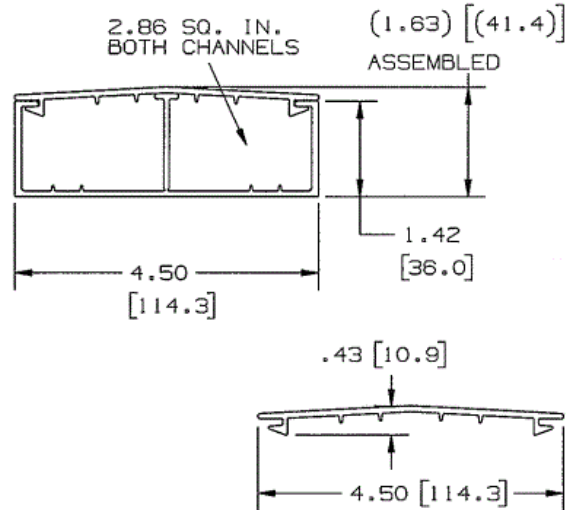
Description	Color	UPC Number	Catalog Number
Cover	Office White	783585310039	PB2C5

Listings

UL Listed
CSA Certified

Specifications

Height	0.20"
Width	4.50"
Length	5'



Online Resources

Customer Use Drawing
eCatalog
Installation Instructions

Dimensions in Inches (mm)

Hubbell Wiring Device-Kellems • Hubbell Incorporated (Delaware) • 40 Waterview Drive • Shelton, CT 06484

Phone (800) 288-6000 • Fax (800) 255-1031 • Specifications subject to change without notice.

