

Raceway
Non-Metallic Raceway
PB2 BaseTrak[®] 2-Gang In-Line Box

HUBBELL

Features

- For switches, receptacles and communication devices.
- Provides flush look.
- See page R-63 for recommended single gang "KP" plate options.

Ordering Information

Description	Color	UPC Number	Catalog Number
2-Gang In-Line Box	Office White	783585310114	PB2IND2G

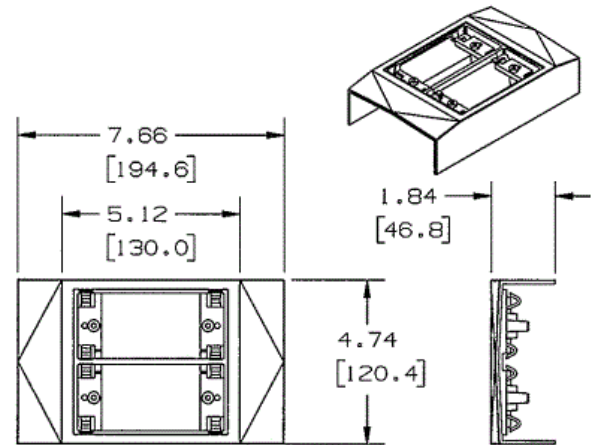


Listings

UL Listed
CSA Certified

Specifications

Height	4.74"
Width	7.66"
Length	1.84"



Online Resources

Customer Use Drawing
eCatalog
Installation Instructions

Dimensions in Inches (mm)

Hubbell Wiring Device-Kellems • Hubbell Incorporated (Delaware) • 40 Waterview Drive • Shelton, CT 06484

Phone (800) 288-6000 • Fax (800) 255-1031 • Specifications subject to change without notice.

