

Raceway  
Non-Metallic Raceway  
PB2 BaseTrak® Wire Clip

# HUBBELL

## Features

- For holding conductors in place.

## Ordering Information

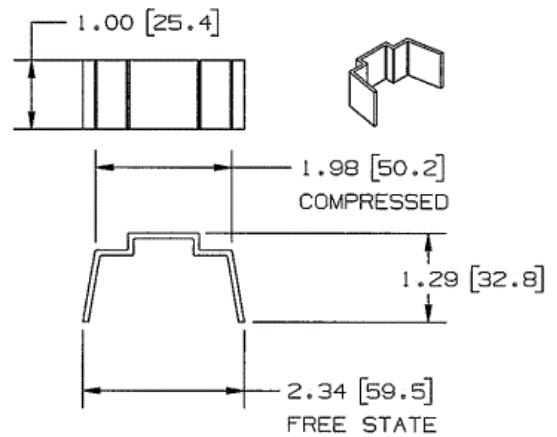
Description	Color	UPC Number	Catalog Number
Wire Clip	Office White	783585310138	PB2WC

## Listings

UL Listed  
CSA Certified

## Specifications

Height	1.29"
Width	1.00"
Length	1.00"



## Online Resources

Customer Use Drawing  
eCatalog  
Installation Instructions

Dimensions in Inches (mm)

Hubbell Wiring Device-Kellems • Hubbell Incorporated (Delaware) • 40 Waterview Drive • Shelton, CT 06484

Phone (800) 288-6000 • Fax (800) 255-1031 • Specifications subject to change without notice.

