

Raceway Non-Metallic Raceway PB3 BaseTrak[®] Base and Cover

HUBBELL

Features

- Three channel raceway
- Available in 5 ft. (1.5m) and 10 ft. (3m) lengths.

Ordering Information

| Description | Color | UPC Number | Catalog Number |
|----------------|--------------|--------------|----------------|
| Base and Cover | Office White | 783585090771 | PB3BC5 |

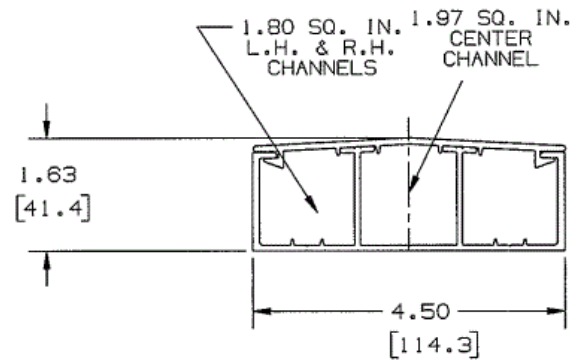


Listings

UL Listed
CSA Certified

Specifications

| | |
|--------|-------|
| Height | 1.63" |
| Width | 4.50" |
| Length | 5' |



Online Resources

Customer Use Drawing
eCatalog
Installation Instructions

Dimensions in Inches (mm)

Hubbell Wiring Device-Kellems • Hubbell Incorporated (Delaware) • 40 Waterview Drive • Shelton, CT 06484

Phone (800) 288-6000 • Fax (800) 255-1031 • Specifications subject to change without notice.

