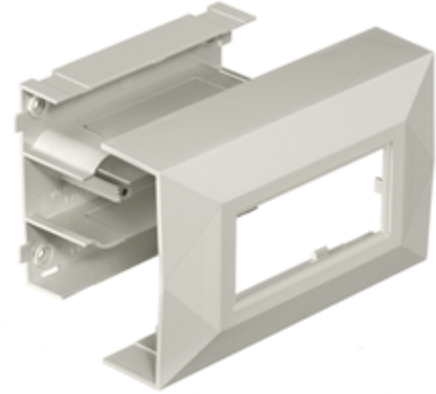


Raceway
 Non-Metallic Raceway
PB3 BaseTrak[®] 1-Gang In-Line Box

HUBBELL

Features

- For switches, receptacles and communication devices.
- Provides flush look.
- See page R-63 for recommended plate options.



Ordering Information

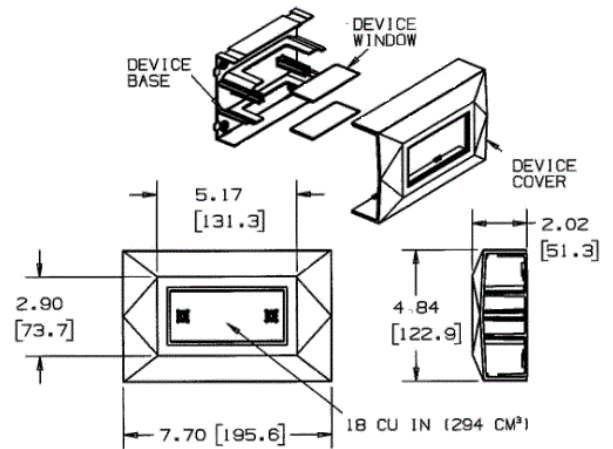
Description	Color	UPC Number	Catalog Number
1-Gang In-Line Box	Office White	783585090863	PB3IND

Listings

UL Listed
 CSA Certified

Specifications

Height	3.25"
Width	4.90"
Length	1.25"



Online Resources

Customer Use Drawing
 eCatalog
 Installation Instructions

Dimensions in Inches (mm)

Hubbell Wiring Device-Kellems • Hubbell Incorporated (Delaware) • 40 Waterview Drive • Shelton, CT 06484

Phone (800) 288-6000 • Fax (800) 255-1031 • Specifications subject to change without notice.

