

Raceway Non-Metallic Raceway PB3 BaseTrak® Safety Strap

HUBBELL

Features

- Prevents potential tampering with PB3 BaseTrak cover.
- Can also be used as a splice cover.

Ordering Information

Description	Color	UPC Number	Catalog Number
Safety Strap	Office White	783585090931	PB3SS

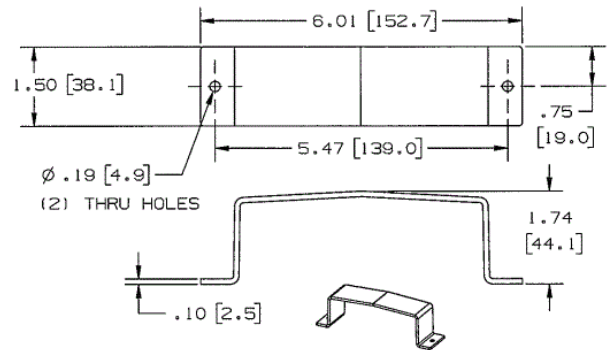


Listings

UL Listed
CSA Certified

Specifications

Height	1.74"
Width	6.01"
Length	1.50"



Online Resources

Customer Use Drawing
eCatalog
Installation Instructions

Dimensions in Inches (mm)

Hubbell Wiring Device-Kellems • Hubbell Incorporated (Delaware) • 40 Waterview Drive • Shelton, CT 06484

Phone (800) 288-6000 • Fax (800) 255-1031 • Specifications subject to change without notice.

