

Raceway
Non-Metallic Raceway
PW2 WallTrak® (Latching) 1-Gang Deep Box

HUBBELL

Features

- For deep devices or applications where additional room is beneficial.
- See page R-63 for recommended plate options.
- If using dual services, the PDB1DIV must be ordered.

Ordering Information

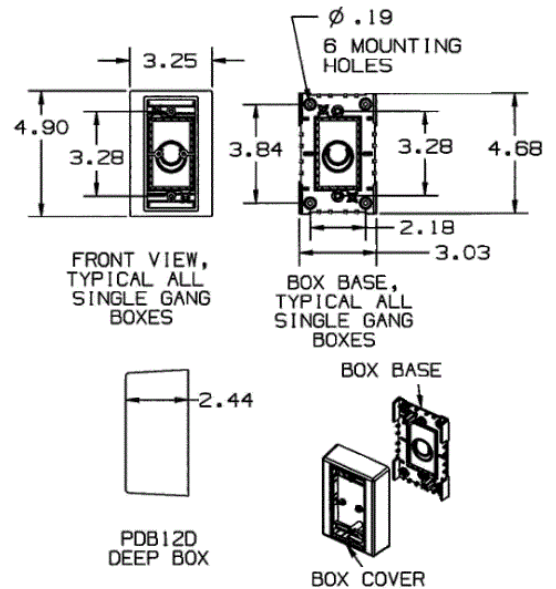
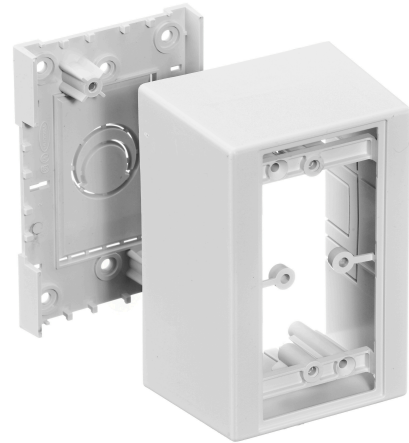
Description	Color	UPC Number	Catalog Number
1-Gang Deep Box	White	783585562520	PDB12DW

Listings

UL Listed
 CSA Certified

Specifications

Height	4.90"
Width	3.25"
Length	2.44"



Online Resources

Customer Use Drawing
 eCatalog
 Installation Instructions

Dimensions in Inches (mm)

Hubbell Wiring Device-Kellems • Hubbell Incorporated (Delaware) • 40 Waterview Drive • Shelton, CT 06484

Phone (800) 288-6000 • Fax (800) 255-1031 • Specifications subject to change without notice.

