

Raceway  
 Non-Metallic Raceway  
 PW2 WallTrak® (Latching) 1-Gang Deep Box

# HUBBELL

### Features

- For deep devices or applications where additional room is beneficial.
- See page R-63 for recommended plate options.
- If using dual services, the PDB1DIV must be ordered.

### Ordering Information

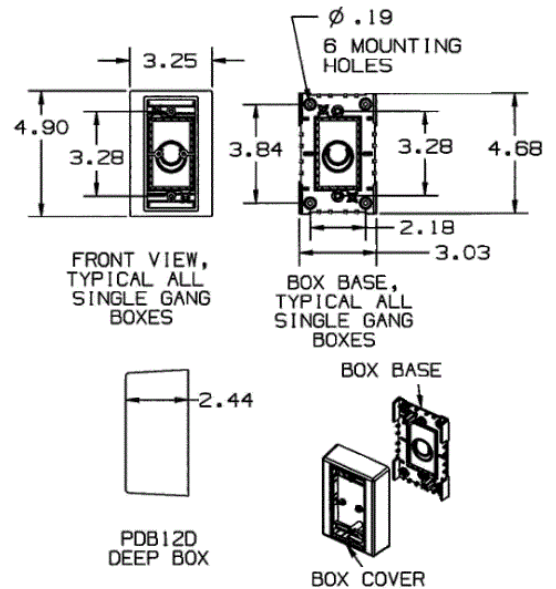
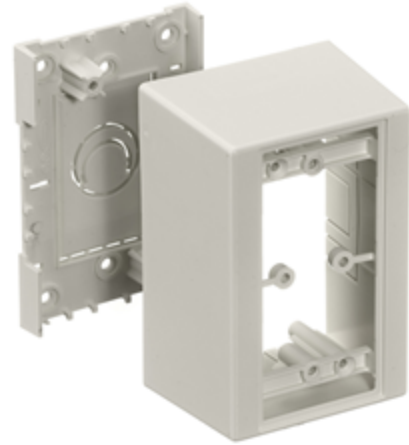
Description	Color	UPC Number	Catalog Number
1-Gang Deep Box	Office White	783585090375	PDB12D

### Listings

UL Listed  
 CSA Certified

### Specifications

Height	4.90"
Width	3.25"
Length	2.44"



### Online Resources

Customer Use Drawing  
 eCatalog  
 Installation Instructions

Dimensions in Inches (mm)

Hubbell Wiring Device-Kellems • Hubbell Incorporated (Delaware) • 40 Waterview Drive • Shelton, CT 06484

Phone (800) 288-6000 • Fax (800) 255-1031 • Specifications subject to change without notice.

