

**Raceway**  
**Non-Metallic Raceway**  
**PW2 WallTrak® (Latching) 1-Gang Low Profile Box**

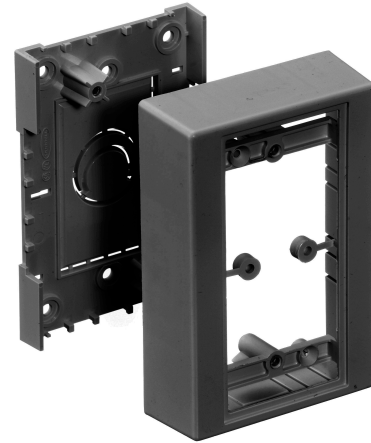
# HUBBELL

**Features**

- For shallow switches and receptacles.
- See page R-63 for recommended plate options.

**Ordering Information**

Description	Color	UPC Number	Catalog Number
1-Gang Low Profile Box	Black	783585562551	PDB12LPBK

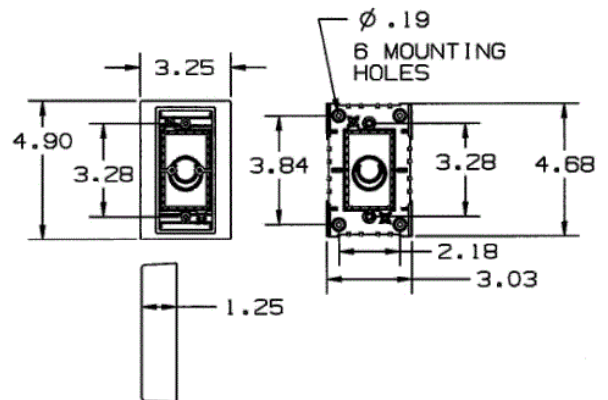


**Listings**

UL Listed  
 CSA Certified

**Specifications**

Height	4.90"
Width	3.25"
Length	1.25"



**Online Resources**

Customer Use Drawing  
 eCatalog  
 Installation Instructions

Dimensions in Inches (mm)

Hubbell Wiring Device-Kellems • Hubbell Incorporated (Delaware) • 40 Waterview Drive • Shelton, CT 06484

Phone (800) 288-6000 • Fax (800) 255-1031 • Specifications subject to change without notice.

