

Raceway
Non-Metallic Raceway
PW2 WallTrak® (Latching) 1-Gang Low
Profile Box

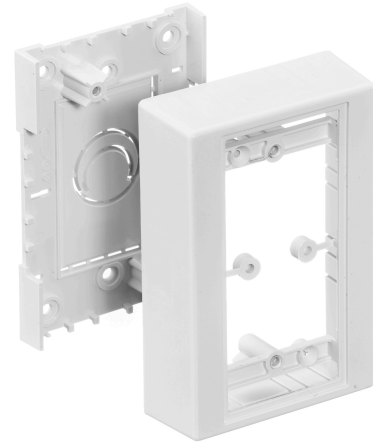
HUBBELL

Features

- For shallow switches and receptacles.
- See page R-63 for recommended plate options.

Ordering Information

Description	Color	UPC Number	Catalog Number
1-Gang Low Profile Box	White	783585562568	PDB12LPW

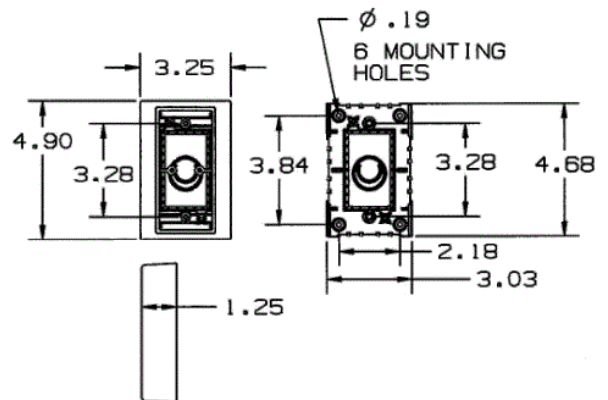


Listings

UL Listed
CSA Certified

Specifications

Height	4.90"
Width	3.25"
Length	1.25"



Online Resources

Customer Use Drawing
eCatalog
Installation Instructions

Dimensions in Inches (mm)

Hubbell Wiring Device-Kellems • Hubbell Incorporated (Delaware) • 40 Waterview Drive • Shelton, CT 06484

Phone (800) 288-6000 • Fax (800) 255-1031 • Specifications subject to change without notice.

